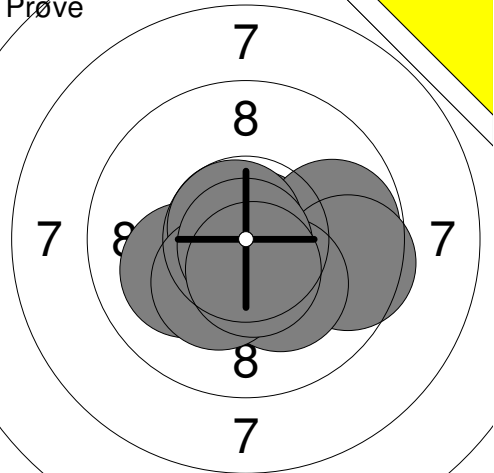
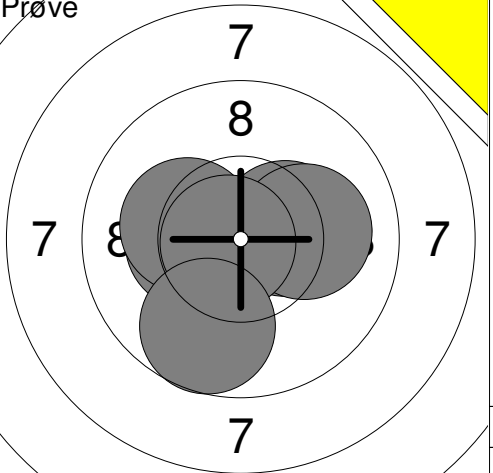
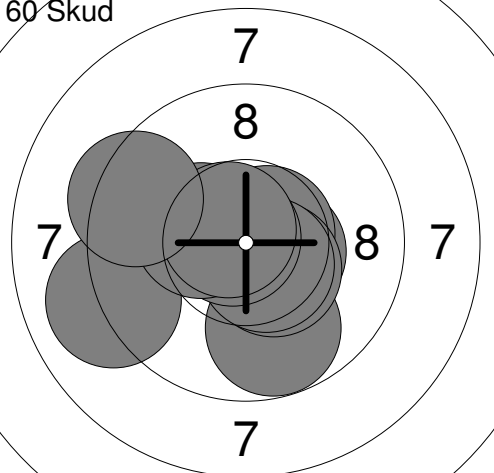
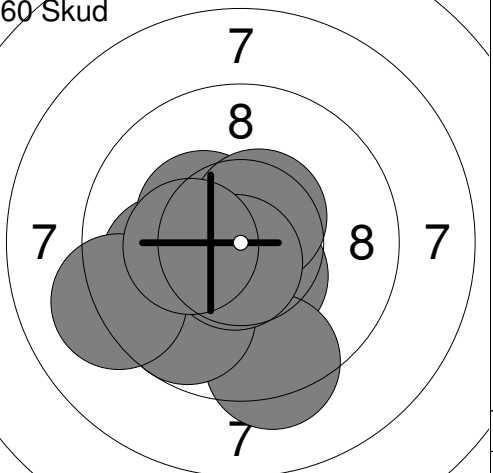
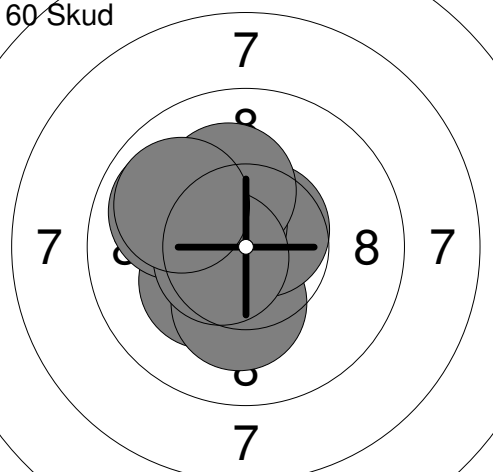
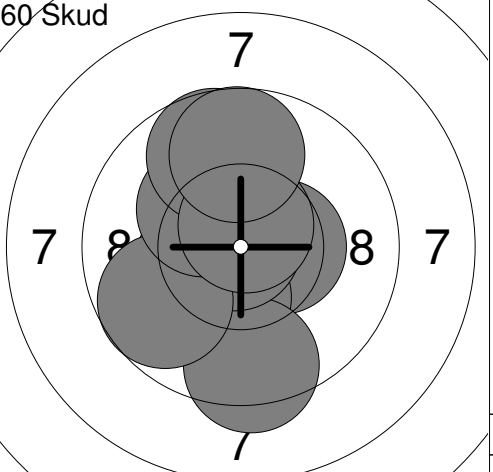
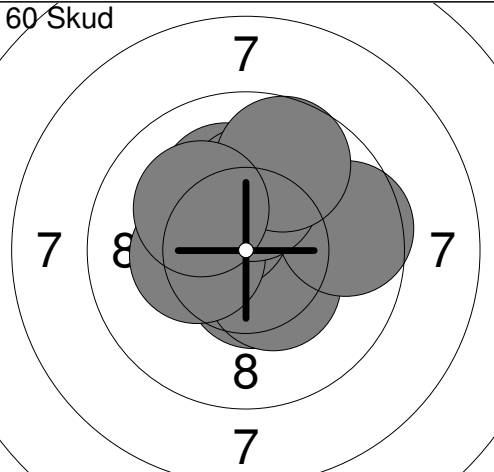
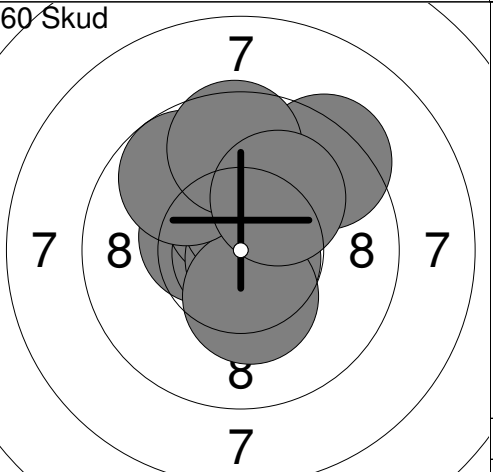
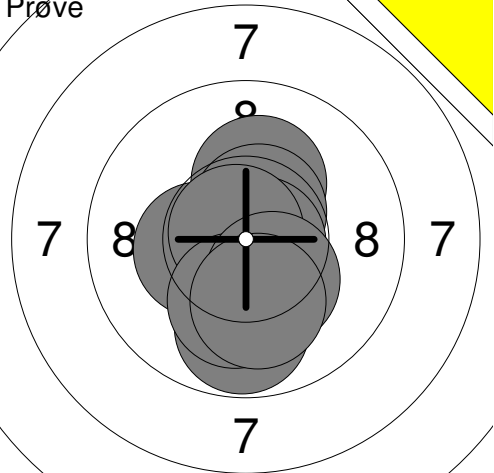
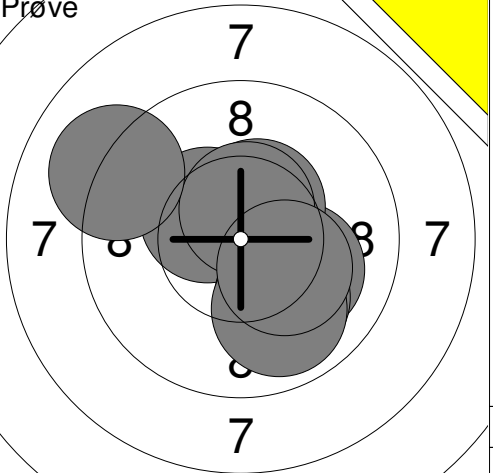
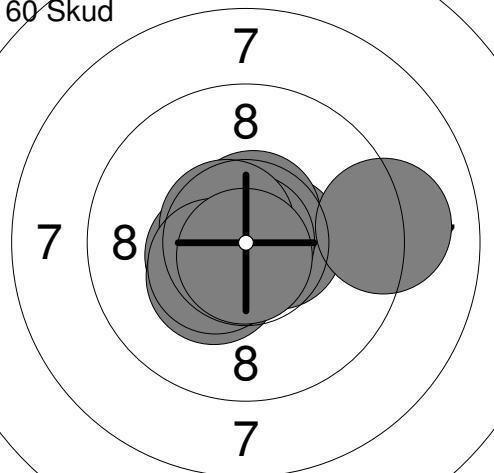
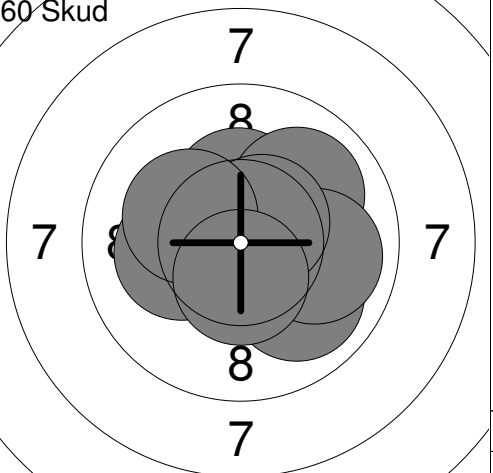
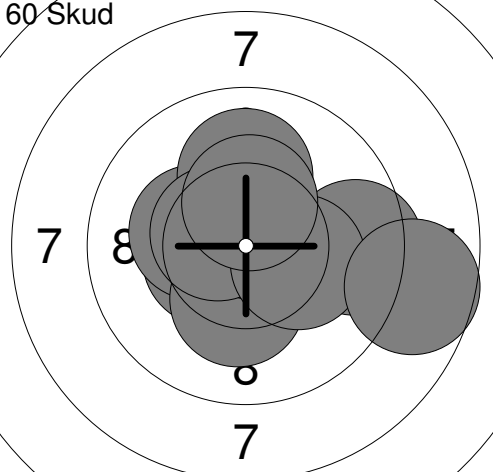
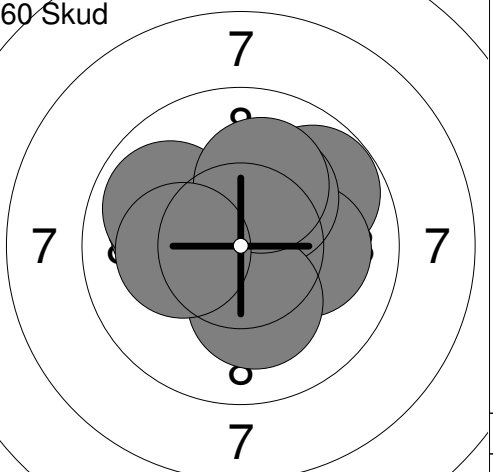
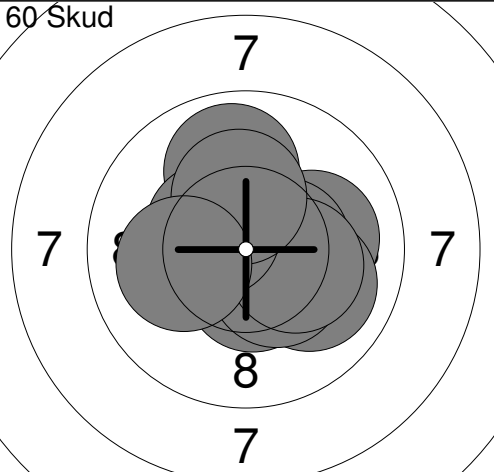
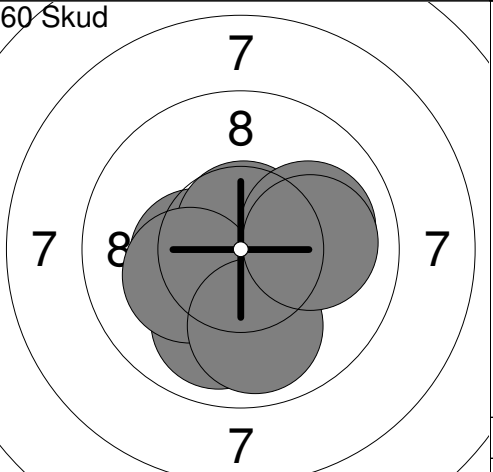
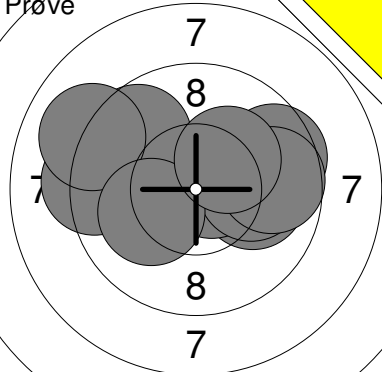
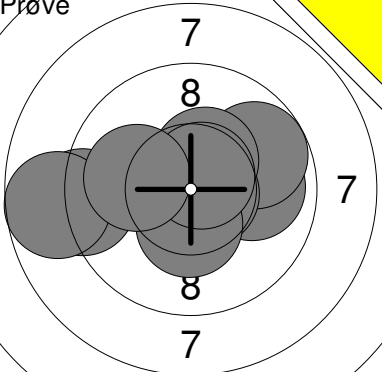
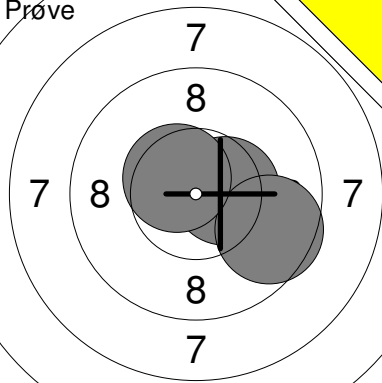
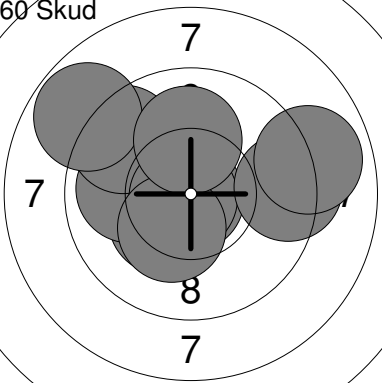
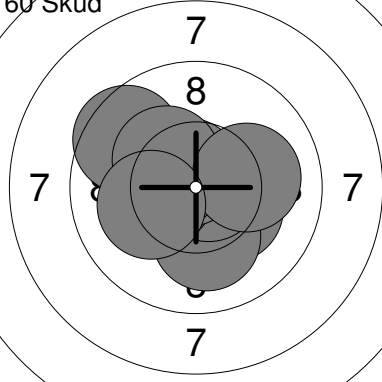
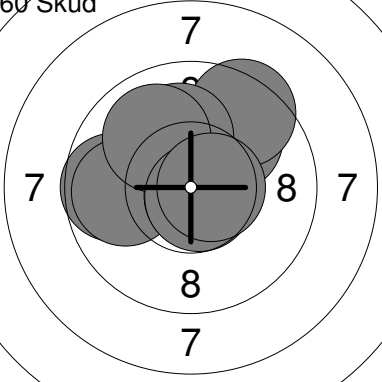


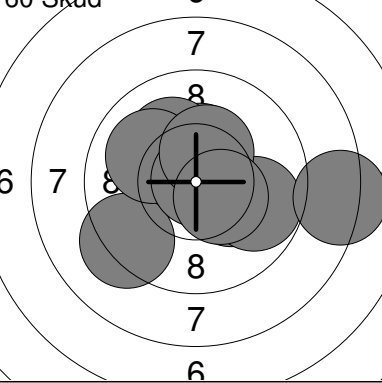
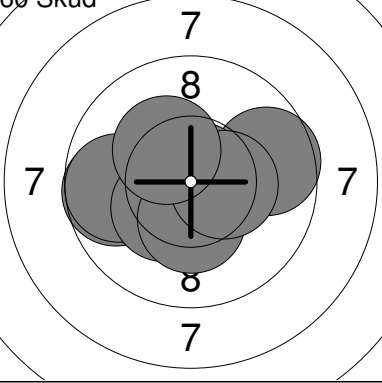
Hold	Skive	Erik Skovmand	
105	1		
10m		Viborg Skytteforening	
14.12.2013		Øvelsesnavn 11	Aalborg Skyttekreds
Prøve		1: 10.8x → 2: 9.8 → 3: 10.4x ↓ 4: 10.1 ← 5: 9.6 → 6: 10.7x ↗ 7: 10.2x ↓ 8: 10.3x ↓ 9: 10.9x ↓ 10: 10.5x ↓ Serie 103.3 Total 0.0	Prøve  11: 10.3x ← 12: 10.3x → 13: 10.1 → 14: 10.2x ← 15: 10.8x ← 16: 9.7 ↓ Serie 61.4 Total 0.0
60 Skud		1: 10.5x → 2: 9.8 ↓ 3: 10.6x → 4: 10.4x ↓ 5: 10.6x ↓ 6: 10.8x ← 7: 9.0 ← 8: 10.3x ← 9: 10.7x ↗ 10: 9.4 ← Serie 102.1 Total 102.1	60 Skud  11: 10.2x ← 12: 10.4x ↓ 13: 10.0 ← 14: 10.4x ↖ 15: 9.3 ↓ 16: 9.7 ↓ 17: 10.5x ↗ 18: 9.2 ← 19: 10.7x ↓ 20: 10.3x ← Serie 100.7 Total 202.8
60 Skud		21: 10.6x ↓ 22: 10.3x ← 23: 10.2x ↓ 24: 10.3x ↗ 25: 10.6x ↗ 26: 10.5x ↗ 27: 9.9 ← 28: 10.2x ↑ 29: 10.6x ← 30: 9.9 ↗ Serie 103.1 Total 305.9	60 Skud  31: 10.5x → 32: 10.4x ← 33: 10.2x ↓ 34: 9.4 ↓ 35: 10.8x ↖ 36: 9.7 ← 37: 10.3x ↗ 38: 9.7 ↑ 39: 10.7x ↑ 40: 9.7 ↑ Serie 101.4 Total 407.3
60 Skud		41: 10.1 → 42: 10.5x ↓ 43: 10.1 ↗ 44: 10.4x ↓ 45: 10.5x ↗ 46: 9.6 → 47: 10.3x ← 48: 10.2x ↑ 49: 9.7 ↗ 50: 10.1 ↗ Serie 101.5 Total 508.8	60 Skud  51: 10.5x ↖ 52: 10.9x ↓ 53: 9.4 ↗ 54: 10.5x ↑ 55: 10.8x ↘ 56: 10.5x ↑ 57: 10.3x ↓ 58: 9.8 ↗ 59: 9.6 ↑ 60: 10.1 ↗ Serie 102.4 Total 611.2

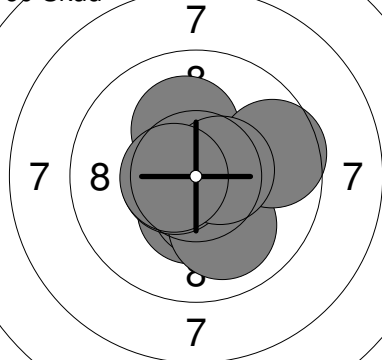
Prøve		Prøve	
	1: 10.4x ↓ 2: 10.2x ↑ 3: 10.3x ← 4: 9.8 ↓ 5: 10.6x ↑ 6: 10.8x → 7: 10.8x ↗ 8: 10.1 ↓ 9: 10.3x ↓ 10: 10.1 ↓ Serie 103.4 Total 0.0		11: 10.1 → 12: 10.4x ↗ 13: 10.5x ↑ 14: 10.0 ↓ 15: 9.9 ↓ 16: 10.5x ↑ 17: 9.1 ← 18: 10.3x ↓ Serie 80.8 Total 0.0
60 Skud 	1: 10.5x ← 2: 10.6x → 3: 10.6x ↑ 4: 10.9x ↗ 5: 10.3x ↙ 6: 10.6x ↙ 7: 10.6x ↗ 8: 9.1 → 9: 10.4x ↙ 10: 10.8x ↓ Serie 104.4 Total 104.4	60 Skud 	11: 10.2x ← 12: 10.9x ↗ 13: 10.5x ↗ 14: 10.3x ↑ 15: 10.0 ↗ 16: 10.0 ↓ 17: 9.9 → 18: 10.6x ↗ 19: 10.2x ← 20: 10.5x ↓ Serie 103.1 Total 207.5
60 Skud 	21: 10.4x ← 22: 10.3x ← 23: 10.2x ↓ 24: 10.7x ↗ 25: 9.5 → 26: 10.0 ↑ 27: 10.5x ↗ 28: 10.2x → 29: 8.7 → 30: 10.4x ↑ Serie 100.9 Total 308.4	60 Skud 	31: 10.6x ← 32: 9.8 ↗ 33: 10.5x ↗ 34: 10.1 → 35: 10.2x ↑ 36: 10.1 ← 37: 9.9 ← 38: 10.2x ↓ 39: 10.1 ↑ 40: 10.2x ← Serie 101.7 Total 410.1
60 Skud 	41: 10.1 → 42: 10.0 ↓ 43: 10.5x ↓ 44: 9.9 ↑ 45: 10.4x ↓ 46: 10.5x → 47: 10.3x → 48: 10.4x ↗ 49: 10.3x ↑ 50: 10.1 ← Serie 102.5 Total 512.6	60 Skud 	51: 10.8x ↓ 52: 10.2x ↓ 53: 10.4x ← 54: 10.5x → 55: 10.7x ↑ 56: 10.0 ↓ 57: 10.0 → 58: 10.2x ← 59: 9.9 ↓ 60: 10.0 → Serie 102.7 Total 615.3

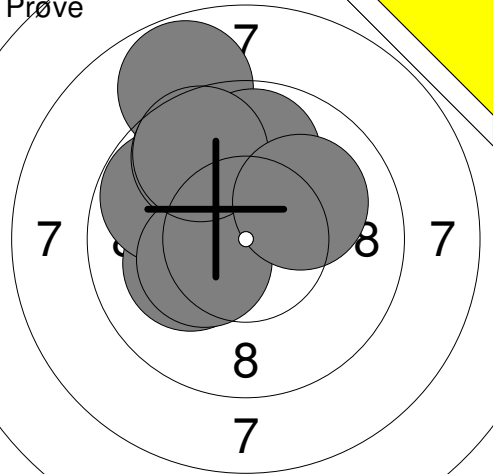
Prøve 	1: 9.3 ← 2: 10.0 → 3: 10.7x → 4: 9.7 ↗ 5: 9.5 → 6: 10.0 → 7: 9.7 → 8: 9.0 ↗ 9: 10.1 ↖ 10: 10.2x ↗ <hr/> Serie 98.2 Total 0.0	Prøve 	11: 9.9 → 12: 9.1 ← 13: 9.7 ↗ 14: 10.7x → 15: 10.7x ← 16: 10.4x ↗ 17: 8.7 ← 18: 10.4x ↓ 19: 10.7x ↗ 20: 10.0 ← <hr/> Serie 100.3 Total 0.0
---	---	---	---

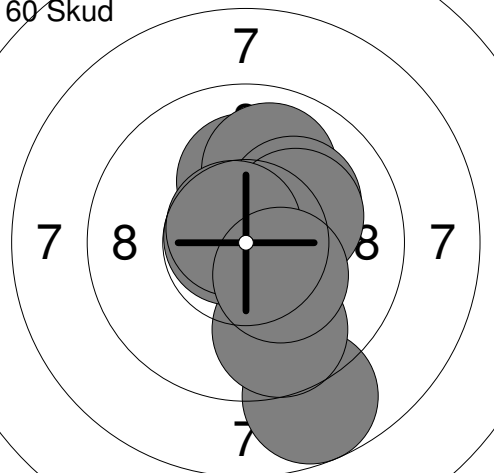
Prøve 	21: 10.5x → 22: 9.6 ↘ 23: 10.5x ↗ <hr/> Serie 30.6 Total 0.0	60 Skud 	1: 10.3x ↖ 2: 9.9 ← 3: 9.5 ↗ 4: 10.9x ↓ 5: 10.8x ↖ 6: 10.3x ↘ 7: 8.8 ↗ 8: 9.3 → 9: 10.1 ↑ 10: 8.9 → <hr/> Serie 98.8 Total 98.8
---	--	---	--

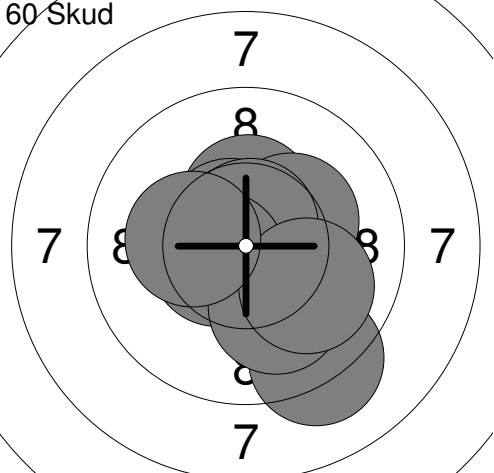
60 Skud 	11: 10.3x ↘ 12: 10.1 ↓ 13: 10.7x → 14: 9.6 ↗ 15: 10.4x ↖ 16: 10.7x ↗ 17: 10.5x ↗ 18: 10.3x ↗ 19: 10.1 → 20: 10.2x ← <hr/> Serie 102.9 Total 201.7	60 Skud 	21: 9.7 ← 22: 10.3x ↗ 23: 9.9 ← 24: 9.9 ↗ 25: 9.5 ↗ 26: 10.8x ↘ 27: 10.1 ↗ 28: 10.0 ↗ 29: 10.7x ↘ 30: 10.6x → <hr/> Serie 101.5 Total 303.2
---	--	---	--

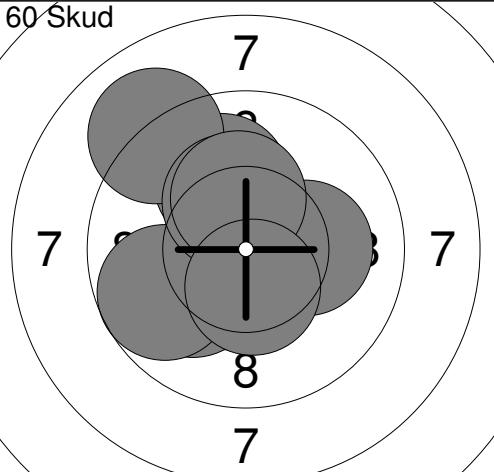
60 Skud 	31: 10.2x ↘ 32: 9.8 ↘ 33: 8.2 → 34: 10.4x ↗ 35: 10.1 ↗ 36: 9.3 ↖ 37: 10.0 ↗ 38: 10.9x ↗ 39: 10.4x ↗ 40: 10.4x ↘ <hr/> Serie 99.7 Total 402.9	60 Skud 	41: 9.7 ← 42: 10.8x → 43: 10.4x ↗ 44: 9.6 → 45: 9.8 ← 46: 10.8x ↗ 47: 10.3x ↖ 48: 10.3x ↓ 49: 10.4x → 50: 10.3x ↗ <hr/> Serie 102.4 Total 505.3
---	---	---	--

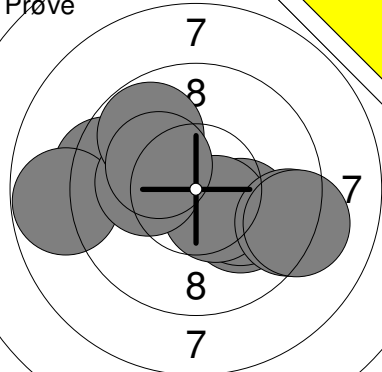
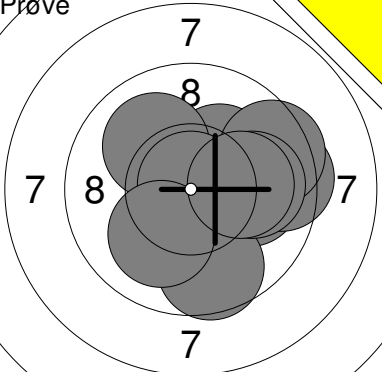
60 Skud 	51: 10.4x ↘ 52: 10.5x ↗ 53: 10.7x ↗ 54: 10.5x ↘ 55: 10.2x ↗ 56: 10.0 ↘ 57: 10.6x ← 58: 9.6 → 59: 10.5x → 60: 10.6x ← <hr/> Serie 103.6 Total 608.9		
---	---	--	--

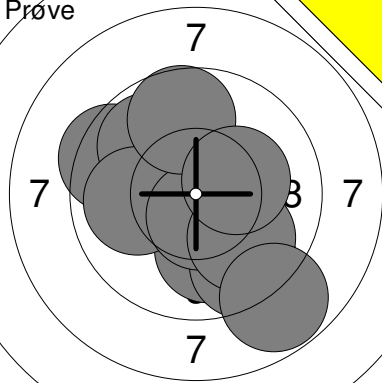
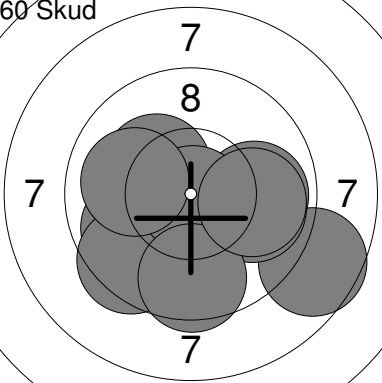
Prøve																																						
	<table border="1" style="width:100%; border-collapse: collapse;"> <tr><td>1:</td><td>10.2x</td><td>↔</td></tr> <tr><td>2:</td><td>9.8</td><td>↑</td></tr> <tr><td>3:</td><td>10.1</td><td>↗</td></tr> <tr><td>4:</td><td>8.8</td><td>↗</td></tr> <tr><td>5:</td><td>9.9</td><td>↑</td></tr> <tr><td>6:</td><td>9.8</td><td>↗</td></tr> <tr><td>7:</td><td>9.7</td><td>↗</td></tr> <tr><td>8:</td><td>10.3x</td><td>↔</td></tr> <tr><td>9:</td><td>9.7</td><td>↗</td></tr> <tr><td>10:</td><td>10.1</td><td>↗</td></tr> <tr><td colspan="2">Serie</td><td>98.4</td></tr> <tr><td colspan="2">Total</td><td>0.0</td></tr> </table>	1:	10.2x	↔	2:	9.8	↑	3:	10.1	↗	4:	8.8	↗	5:	9.9	↑	6:	9.8	↗	7:	9.7	↗	8:	10.3x	↔	9:	9.7	↗	10:	10.1	↗	Serie		98.4	Total		0.0	Prøve
1:	10.2x	↔																																				
2:	9.8	↑																																				
3:	10.1	↗																																				
4:	8.8	↗																																				
5:	9.9	↑																																				
6:	9.8	↗																																				
7:	9.7	↗																																				
8:	10.3x	↔																																				
9:	9.7	↗																																				
10:	10.1	↗																																				
Serie		98.4																																				
Total		0.0																																				
		<table border="1" style="width:100%; border-collapse: collapse;"> <tr><td>11:</td><td>9.4</td><td>↗</td></tr> <tr><td>12:</td><td>9.5</td><td>↗</td></tr> <tr><td>13:</td><td>9.7</td><td>↘</td></tr> <tr><td>14:</td><td>10.2x</td><td>→</td></tr> <tr><td>15:</td><td>9.4</td><td>↑</td></tr> <tr><td colspan="2">Serie</td><td>48.2</td></tr> <tr><td colspan="2">Total</td><td>0.0</td></tr> </table>	11:	9.4	↗	12:	9.5	↗	13:	9.7	↘	14:	10.2x	→	15:	9.4	↑	Serie		48.2	Total		0.0															
11:	9.4	↗																																				
12:	9.5	↗																																				
13:	9.7	↘																																				
14:	10.2x	→																																				
15:	9.4	↑																																				
Serie		48.2																																				
Total		0.0																																				

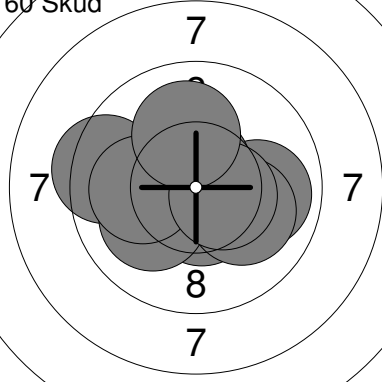
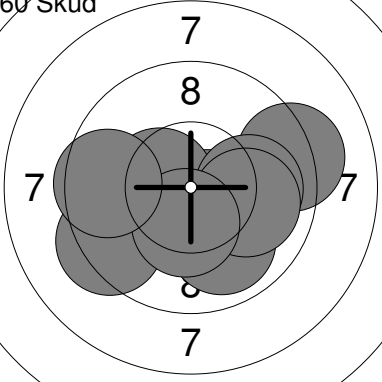
60 Skud																																						
	<table border="1" style="width:100%; border-collapse: collapse;"> <tr><td>1:</td><td>10.1</td><td>↑</td></tr> <tr><td>2:</td><td>10.8x</td><td>↑</td></tr> <tr><td>3:</td><td>8.8</td><td>↘</td></tr> <tr><td>4:</td><td>9.7</td><td>↘</td></tr> <tr><td>5:</td><td>10.8x</td><td>↔</td></tr> <tr><td>6:</td><td>9.9</td><td>↑</td></tr> <tr><td>7:</td><td>10.1</td><td>↗</td></tr> <tr><td>8:</td><td>10.2x</td><td>↗</td></tr> <tr><td>9:</td><td>10.7x</td><td>↗</td></tr> <tr><td>10:</td><td>10.3x</td><td>↘</td></tr> <tr><td colspan="2">Serie</td><td>101.4</td></tr> <tr><td colspan="2">Total</td><td>101.4</td></tr> </table>	1:	10.1	↑	2:	10.8x	↑	3:	8.8	↘	4:	9.7	↘	5:	10.8x	↔	6:	9.9	↑	7:	10.1	↗	8:	10.2x	↗	9:	10.7x	↗	10:	10.3x	↘	Serie		101.4	Total		101.4	60 Skud
1:	10.1	↑																																				
2:	10.8x	↑																																				
3:	8.8	↘																																				
4:	9.7	↘																																				
5:	10.8x	↔																																				
6:	9.9	↑																																				
7:	10.1	↗																																				
8:	10.2x	↗																																				
9:	10.7x	↗																																				
10:	10.3x	↘																																				
Serie		101.4																																				
Total		101.4																																				
		<table border="1" style="width:100%; border-collapse: collapse;"> <tr><td>11:</td><td>10.7x</td><td>↘</td></tr> <tr><td>12:</td><td>8.7</td><td>↑</td></tr> <tr><td>13:</td><td>10.3x</td><td>↑</td></tr> <tr><td>14:</td><td>9.9</td><td>→</td></tr> <tr><td>15:</td><td>10.2x</td><td>↘</td></tr> <tr><td>16:</td><td>9.9</td><td>↘</td></tr> <tr><td>17:</td><td>10.8x</td><td>↔</td></tr> <tr><td>18:</td><td>9.6</td><td>↔</td></tr> <tr><td>19:</td><td>10.6x</td><td>↔</td></tr> <tr><td>20:</td><td>10.3x</td><td>↗</td></tr> <tr><td colspan="2">Serie</td><td>101.0</td></tr> <tr><td colspan="2">Total</td><td>202.4</td></tr> </table>	11:	10.7x	↘	12:	8.7	↑	13:	10.3x	↑	14:	9.9	→	15:	10.2x	↘	16:	9.9	↘	17:	10.8x	↔	18:	9.6	↔	19:	10.6x	↔	20:	10.3x	↗	Serie		101.0	Total		202.4
11:	10.7x	↘																																				
12:	8.7	↑																																				
13:	10.3x	↑																																				
14:	9.9	→																																				
15:	10.2x	↘																																				
16:	9.9	↘																																				
17:	10.8x	↔																																				
18:	9.6	↔																																				
19:	10.6x	↔																																				
20:	10.3x	↗																																				
Serie		101.0																																				
Total		202.4																																				

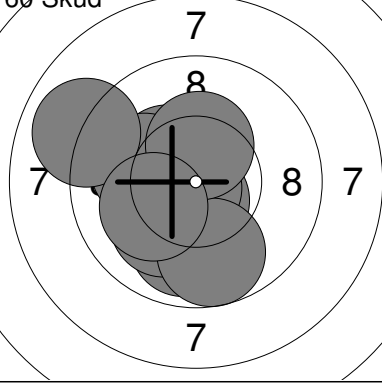
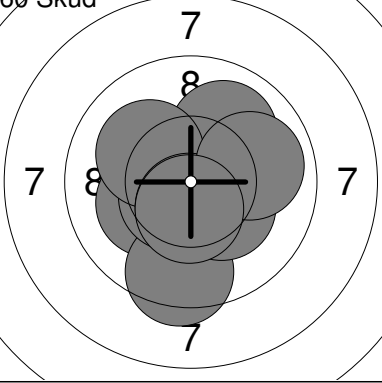
60 Skud																																						
	<table border="1" style="width:100%; border-collapse: collapse;"> <tr><td>21:</td><td>10.4x</td><td>↑</td></tr> <tr><td>22:</td><td>10.6x</td><td>→</td></tr> <tr><td>23:</td><td>10.3x</td><td>↗</td></tr> <tr><td>24:</td><td>10.6x</td><td>↗</td></tr> <tr><td>25:</td><td>10.7x</td><td>↑</td></tr> <tr><td>26:</td><td>10.5x</td><td>↔</td></tr> <tr><td>27:</td><td>9.2</td><td>↘</td></tr> <tr><td>28:</td><td>10.1</td><td>↘</td></tr> <tr><td>29:</td><td>10.0</td><td>↘</td></tr> <tr><td>30:</td><td>10.2x</td><td>↔</td></tr> <tr><td colspan="2">Serie</td><td>102.6</td></tr> <tr><td colspan="2">Total</td><td>305.0</td></tr> </table>	21:	10.4x	↑	22:	10.6x	→	23:	10.3x	↗	24:	10.6x	↗	25:	10.7x	↑	26:	10.5x	↔	27:	9.2	↘	28:	10.1	↘	29:	10.0	↘	30:	10.2x	↔	Serie		102.6	Total		305.0	60 Skud
21:	10.4x	↑																																				
22:	10.6x	→																																				
23:	10.3x	↗																																				
24:	10.6x	↗																																				
25:	10.7x	↑																																				
26:	10.5x	↔																																				
27:	9.2	↘																																				
28:	10.1	↘																																				
29:	10.0	↘																																				
30:	10.2x	↔																																				
Serie		102.6																																				
Total		305.0																																				
		<table border="1" style="width:100%; border-collapse: collapse;"> <tr><td>31:</td><td>10.4x</td><td>↘</td></tr> <tr><td>32:</td><td>10.2x</td><td>↘</td></tr> <tr><td>33:</td><td>9.9</td><td>↘</td></tr> <tr><td>34:</td><td>10.6x</td><td>↗</td></tr> <tr><td>35:</td><td>10.3x</td><td>↗</td></tr> <tr><td>36:</td><td>9.9</td><td>↔</td></tr> <tr><td>37:</td><td>10.4x</td><td>↗</td></tr> <tr><td>38:</td><td>10.0</td><td>↗</td></tr> <tr><td>39:</td><td>10.6x</td><td>↗</td></tr> <tr><td>40:</td><td>10.7x</td><td>↔</td></tr> <tr><td colspan="2">Serie</td><td>103.0</td></tr> <tr><td colspan="2">Total</td><td>408.0</td></tr> </table>	31:	10.4x	↘	32:	10.2x	↘	33:	9.9	↘	34:	10.6x	↗	35:	10.3x	↗	36:	9.9	↔	37:	10.4x	↗	38:	10.0	↗	39:	10.6x	↗	40:	10.7x	↔	Serie		103.0	Total		408.0
31:	10.4x	↘																																				
32:	10.2x	↘																																				
33:	9.9	↘																																				
34:	10.6x	↗																																				
35:	10.3x	↗																																				
36:	9.9	↔																																				
37:	10.4x	↗																																				
38:	10.0	↗																																				
39:	10.6x	↗																																				
40:	10.7x	↔																																				
Serie		103.0																																				
Total		408.0																																				

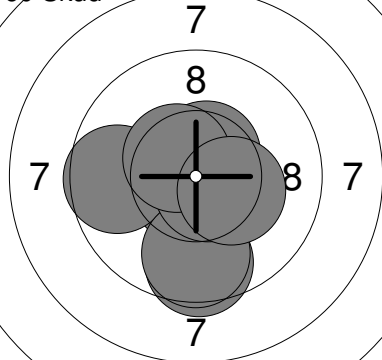
60 Skud																																						
	<table border="1" style="width:100%; border-collapse: collapse;"> <tr><td>41:</td><td>10.0</td><td>↑</td></tr> <tr><td>42:</td><td>10.5x</td><td>↘</td></tr> <tr><td>43:</td><td>9.0</td><td>↗</td></tr> <tr><td>44:</td><td>10.7x</td><td>↘</td></tr> <tr><td>45:</td><td>10.1</td><td>↔</td></tr> <tr><td>46:</td><td>9.7</td><td>↔</td></tr> <tr><td>47:</td><td>10.2x</td><td>→</td></tr> <tr><td>48:</td><td>10.3x</td><td>↑</td></tr> <tr><td>49:</td><td>10.3x</td><td>↑</td></tr> <tr><td>50:</td><td>10.4x</td><td>↘</td></tr> <tr><td colspan="2">Serie</td><td>101.2</td></tr> <tr><td colspan="2">Total</td><td>509.2</td></tr> </table>	41:	10.0	↑	42:	10.5x	↘	43:	9.0	↗	44:	10.7x	↘	45:	10.1	↔	46:	9.7	↔	47:	10.2x	→	48:	10.3x	↑	49:	10.3x	↑	50:	10.4x	↘	Serie		101.2	Total		509.2	60 Skud
41:	10.0	↑																																				
42:	10.5x	↘																																				
43:	9.0	↗																																				
44:	10.7x	↘																																				
45:	10.1	↔																																				
46:	9.7	↔																																				
47:	10.2x	→																																				
48:	10.3x	↑																																				
49:	10.3x	↑																																				
50:	10.4x	↘																																				
Serie		101.2																																				
Total		509.2																																				
		<table border="1" style="width:100%; border-collapse: collapse;"> <tr><td>51:</td><td>10.1</td><td>↘</td></tr> <tr><td>52:</td><td>10.4x</td><td>↗</td></tr> <tr><td>53:</td><td>10.1</td><td>→</td></tr> <tr><td>54:</td><td>10.1</td><td>↔</td></tr> <tr><td>55:</td><td>9.1</td><td>↘</td></tr> <tr><td>56:</td><td>10.8x</td><td>↑</td></tr> <tr><td>57:</td><td>10.3x</td><td>↘</td></tr> <tr><td>58:</td><td>8.9</td><td>→</td></tr> <tr><td>59:</td><td>10.4x</td><td>↘</td></tr> <tr><td>60:</td><td>10.2x</td><td>→</td></tr> <tr><td colspan="2">Serie</td><td>100.4</td></tr> <tr><td colspan="2">Total</td><td>609.6</td></tr> </table>	51:	10.1	↘	52:	10.4x	↗	53:	10.1	→	54:	10.1	↔	55:	9.1	↘	56:	10.8x	↑	57:	10.3x	↘	58:	8.9	→	59:	10.4x	↘	60:	10.2x	→	Serie		100.4	Total		609.6
51:	10.1	↘																																				
52:	10.4x	↗																																				
53:	10.1	→																																				
54:	10.1	↔																																				
55:	9.1	↘																																				
56:	10.8x	↑																																				
57:	10.3x	↘																																				
58:	8.9	→																																				
59:	10.4x	↘																																				
60:	10.2x	→																																				
Serie		100.4																																				
Total		609.6																																				

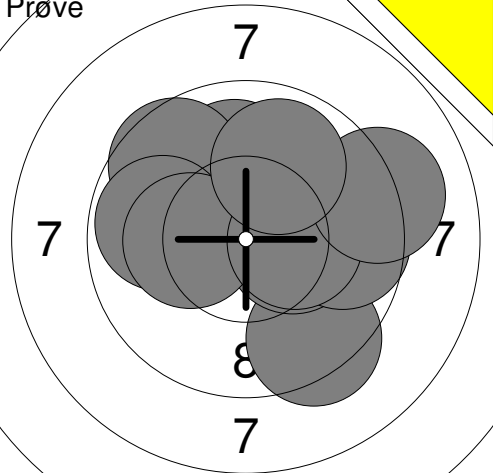
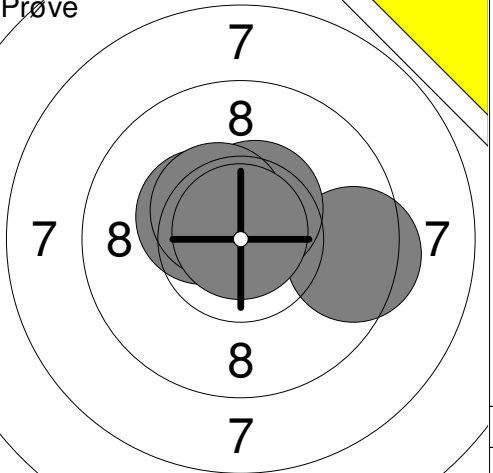
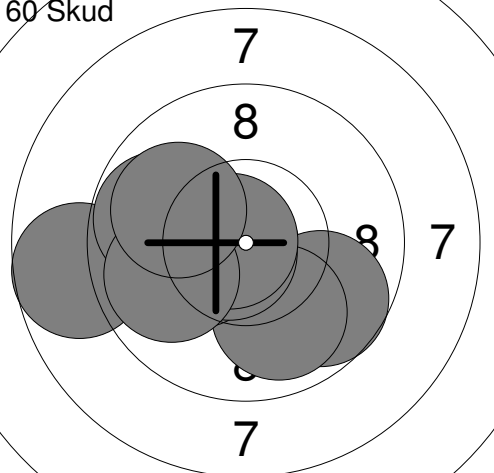
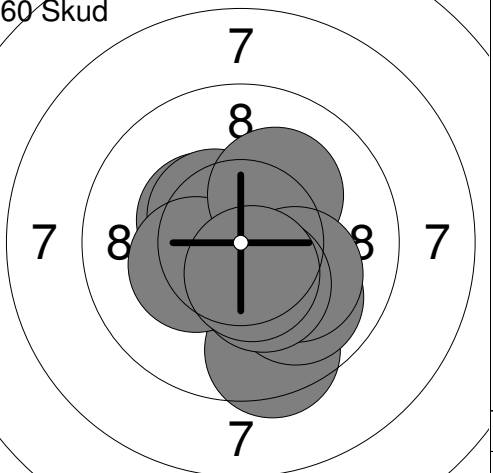
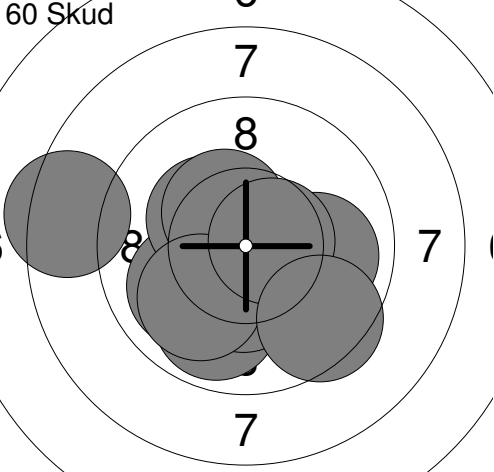
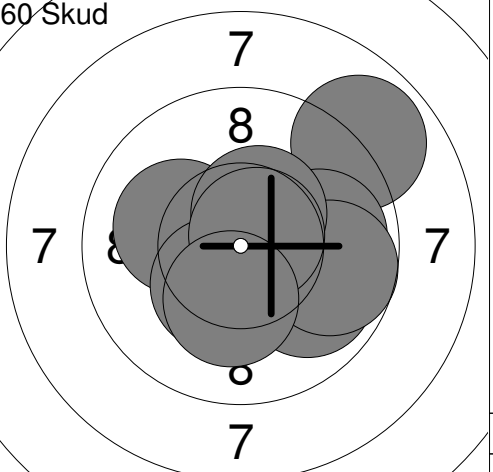
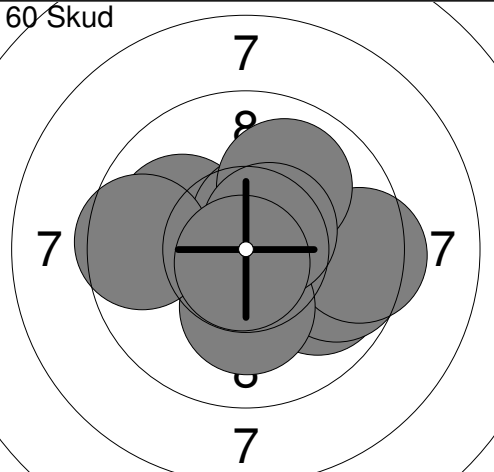
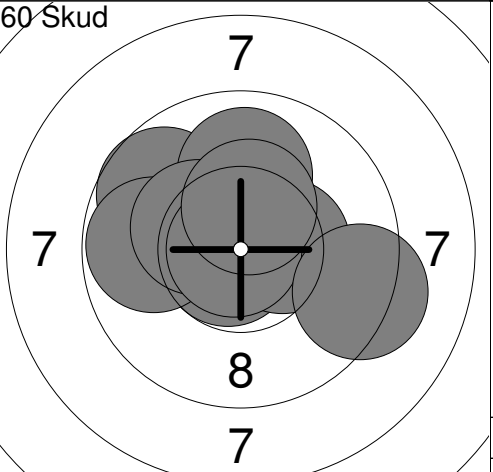
Prøve	Prøve																																																																										
		<table border="1" style="width:100%; border-collapse: collapse;"> <tr><td>1:</td><td>10.1</td><td>↘</td></tr> <tr><td>2:</td><td>9.4</td><td>↖</td></tr> <tr><td>3:</td><td>8.8</td><td>←</td></tr> <tr><td>4:</td><td>10.1</td><td>↘</td></tr> <tr><td>5:</td><td>10.5x</td><td>↘</td></tr> <tr><td>6:</td><td>9.3</td><td>↘</td></tr> <tr><td>7:</td><td>10.2x</td><td>↖</td></tr> <tr><td>8:</td><td>9.2</td><td>↘</td></tr> <tr><td>9:</td><td>9.8</td><td>↗</td></tr> <tr><td>10:</td><td>10.2x</td><td>↗</td></tr> <tr><td colspan="2">Serie</td><td>97.6</td></tr> <tr><td colspan="2">Total</td><td>0.0</td></tr> </table>	1:	10.1	↘	2:	9.4	↖	3:	8.8	←	4:	10.1	↘	5:	10.5x	↘	6:	9.3	↘	7:	10.2x	↖	8:	9.2	↘	9:	9.8	↗	10:	10.2x	↗	Serie		97.6	Total		0.0	<table border="1" style="width:100%; border-collapse: collapse;"> <tr><td>11:</td><td>10.2x</td><td>↗</td></tr> <tr><td>12:</td><td>10.0</td><td>→</td></tr> <tr><td>13:</td><td>9.4</td><td>→</td></tr> <tr><td>14:</td><td>10.0</td><td>↗</td></tr> <tr><td>15:</td><td>9.5</td><td>→</td></tr> <tr><td>16:</td><td>9.6</td><td>↘</td></tr> <tr><td>17:</td><td>10.9x</td><td>↑</td></tr> <tr><td>18:</td><td>9.9</td><td>→</td></tr> <tr><td>19:</td><td>10.1</td><td>↘</td></tr> <tr><td>20:</td><td>10.1</td><td>→</td></tr> <tr><td colspan="2">Serie</td><td>99.7</td></tr> <tr><td colspan="2">Total</td><td>0.0</td></tr> </table>	11:	10.2x	↗	12:	10.0	→	13:	9.4	→	14:	10.0	↗	15:	9.5	→	16:	9.6	↘	17:	10.9x	↑	18:	9.9	→	19:	10.1	↘	20:	10.1	→	Serie		99.7	Total		0.0
1:	10.1	↘																																																																									
2:	9.4	↖																																																																									
3:	8.8	←																																																																									
4:	10.1	↘																																																																									
5:	10.5x	↘																																																																									
6:	9.3	↘																																																																									
7:	10.2x	↖																																																																									
8:	9.2	↘																																																																									
9:	9.8	↗																																																																									
10:	10.2x	↗																																																																									
Serie		97.6																																																																									
Total		0.0																																																																									
11:	10.2x	↗																																																																									
12:	10.0	→																																																																									
13:	9.4	→																																																																									
14:	10.0	↗																																																																									
15:	9.5	→																																																																									
16:	9.6	↘																																																																									
17:	10.9x	↑																																																																									
18:	9.9	→																																																																									
19:	10.1	↘																																																																									
20:	10.1	→																																																																									
Serie		99.7																																																																									
Total		0.0																																																																									

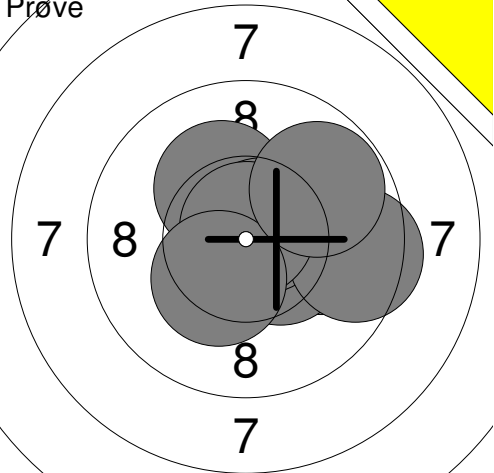
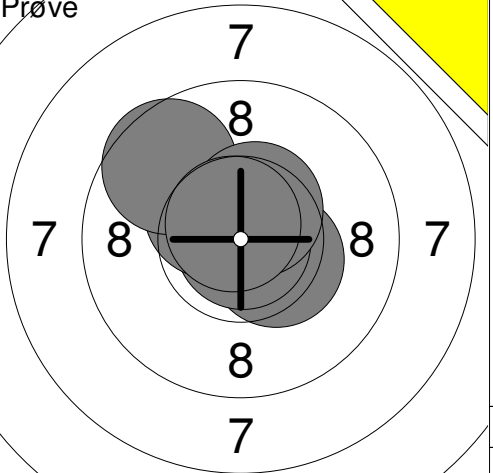
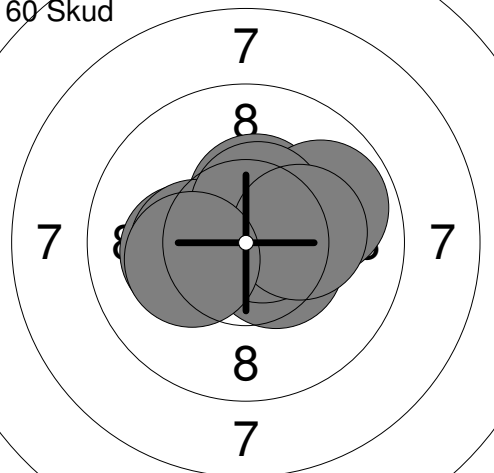
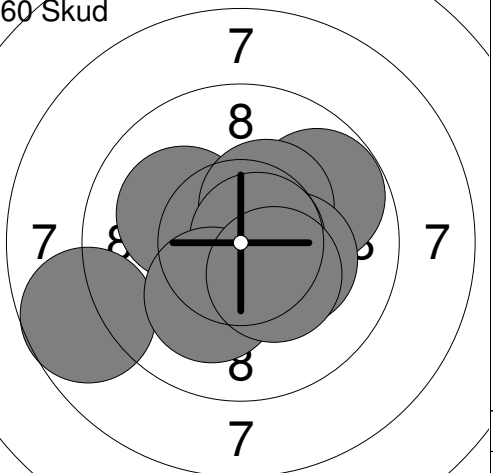
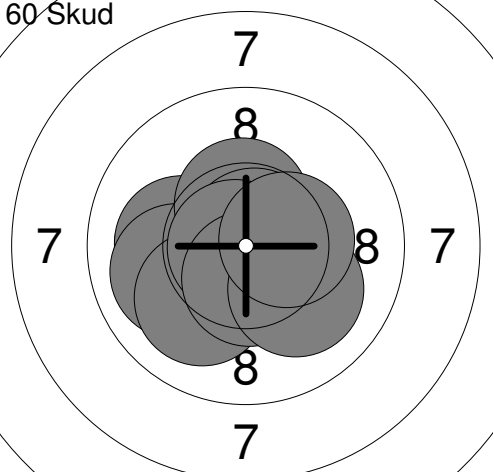
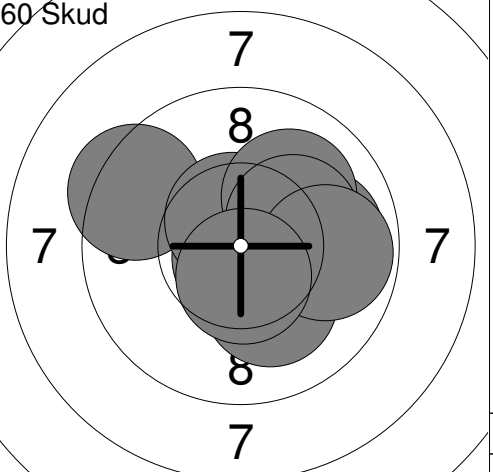
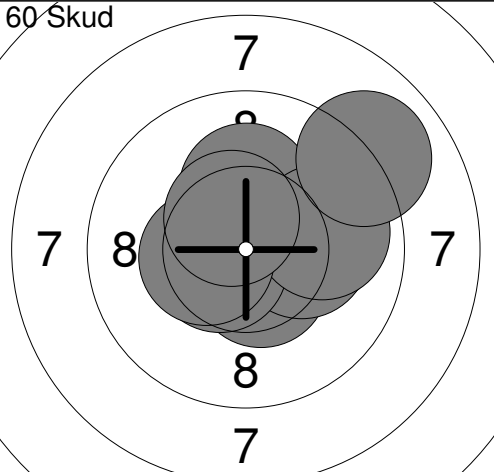
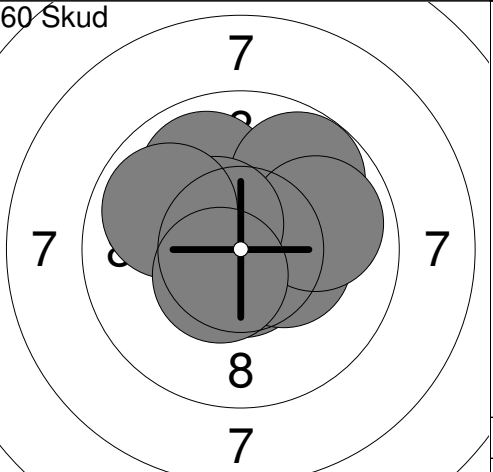
Prøve	60 Skud																																																																										
		<table border="1" style="width:100%; border-collapse: collapse;"> <tr><td>21:</td><td>9.4</td><td>↖</td></tr> <tr><td>22:</td><td>10.0</td><td>↘</td></tr> <tr><td>23:</td><td>9.9</td><td>↗</td></tr> <tr><td>24:</td><td>10.0</td><td>←</td></tr> <tr><td>25:</td><td>9.5</td><td>↘</td></tr> <tr><td>26:</td><td>10.6x</td><td>↘</td></tr> <tr><td>27:</td><td>9.9</td><td>↘</td></tr> <tr><td>28:</td><td>8.8</td><td>↘</td></tr> <tr><td>29:</td><td>9.7</td><td>→</td></tr> <tr><td>30:</td><td>10.2x</td><td>→</td></tr> <tr><td colspan="2">Serie</td><td>98.0</td></tr> <tr><td colspan="2">Total</td><td>0.0</td></tr> </table>	21:	9.4	↖	22:	10.0	↘	23:	9.9	↗	24:	10.0	←	25:	9.5	↘	26:	10.6x	↘	27:	9.9	↘	28:	8.8	↘	29:	9.7	→	30:	10.2x	→	Serie		98.0	Total		0.0	<table border="1" style="width:100%; border-collapse: collapse;"> <tr><td>1:</td><td>8.6</td><td>↘</td></tr> <tr><td>2:</td><td>9.9</td><td>↖</td></tr> <tr><td>3:</td><td>9.9</td><td>→</td></tr> <tr><td>4:</td><td>10.2x</td><td>↗</td></tr> <tr><td>5:</td><td>9.9</td><td>→</td></tr> <tr><td>6:</td><td>9.5</td><td>↖</td></tr> <tr><td>7:</td><td>10.8x</td><td>↘</td></tr> <tr><td>8:</td><td>10.0</td><td>↖</td></tr> <tr><td>9:</td><td>9.5</td><td>↘</td></tr> <tr><td>10:</td><td>9.9</td><td>→</td></tr> <tr><td colspan="2">Serie</td><td>98.2</td></tr> <tr><td colspan="2">Total</td><td>98.2</td></tr> </table>	1:	8.6	↘	2:	9.9	↖	3:	9.9	→	4:	10.2x	↗	5:	9.9	→	6:	9.5	↖	7:	10.8x	↘	8:	10.0	↖	9:	9.5	↘	10:	9.9	→	Serie		98.2	Total		98.2
21:	9.4	↖																																																																									
22:	10.0	↘																																																																									
23:	9.9	↗																																																																									
24:	10.0	←																																																																									
25:	9.5	↘																																																																									
26:	10.6x	↘																																																																									
27:	9.9	↘																																																																									
28:	8.8	↘																																																																									
29:	9.7	→																																																																									
30:	10.2x	→																																																																									
Serie		98.0																																																																									
Total		0.0																																																																									
1:	8.6	↘																																																																									
2:	9.9	↖																																																																									
3:	9.9	→																																																																									
4:	10.2x	↗																																																																									
5:	9.9	→																																																																									
6:	9.5	↖																																																																									
7:	10.8x	↘																																																																									
8:	10.0	↖																																																																									
9:	9.5	↘																																																																									
10:	9.9	→																																																																									
Serie		98.2																																																																									
Total		98.2																																																																									

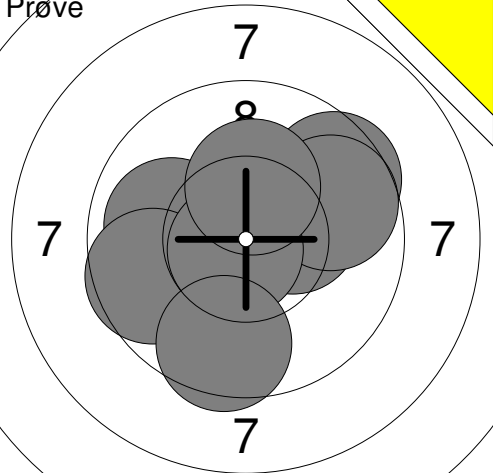
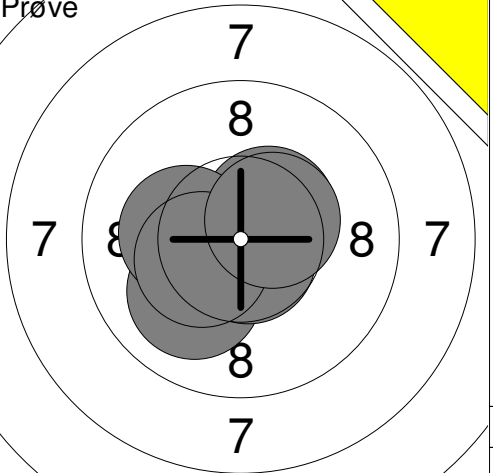
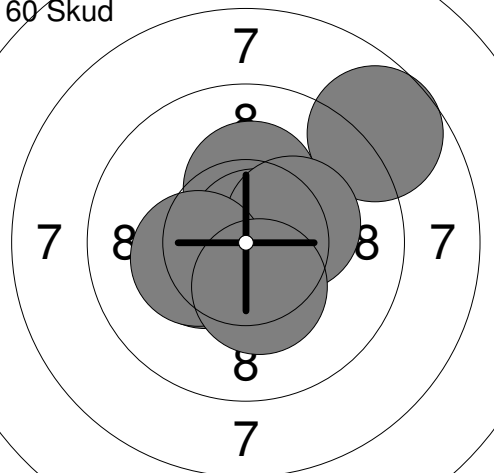
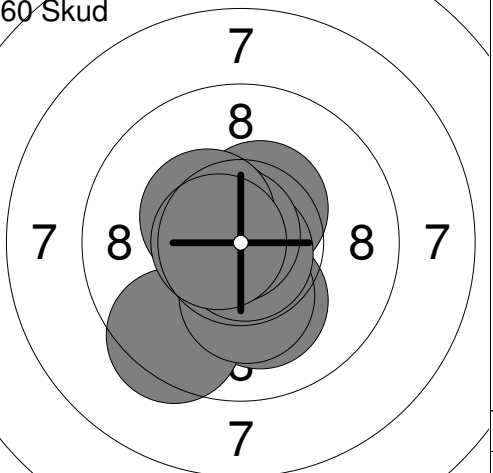
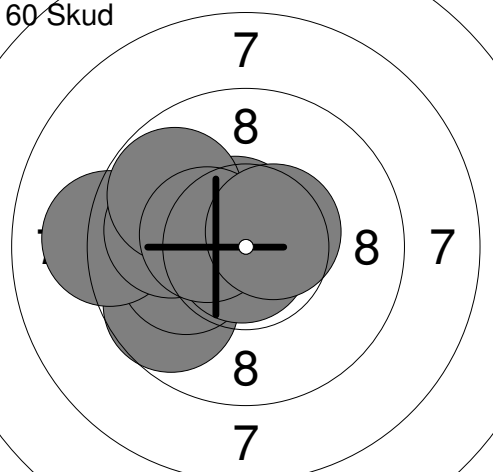
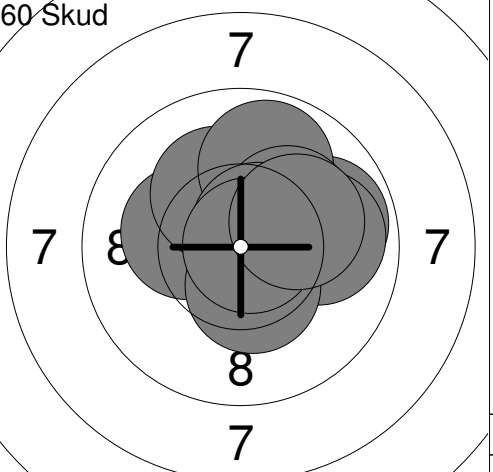
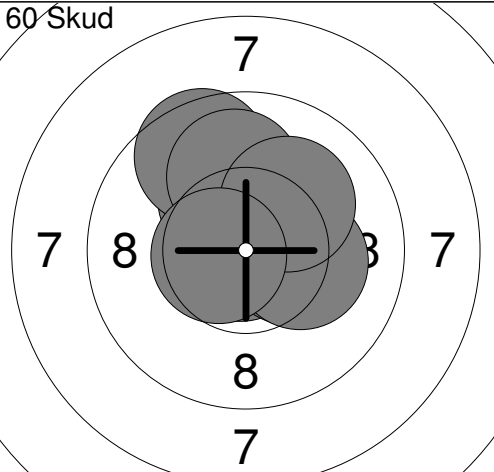
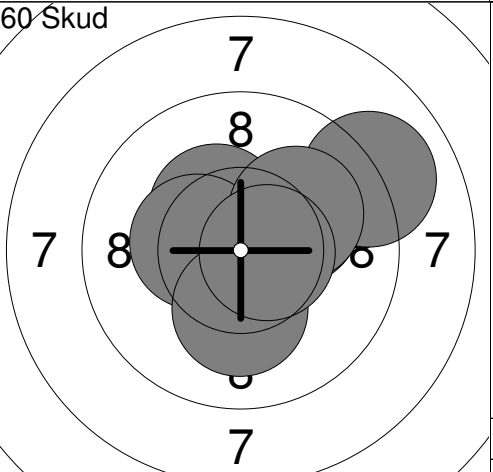
60 Skud	60 Skud																																																																										
		<table border="1" style="width:100%; border-collapse: collapse;"> <tr><td>11:</td><td>9.9</td><td>→</td></tr> <tr><td>12:</td><td>10.6x</td><td>↘</td></tr> <tr><td>13:</td><td>9.4</td><td>↖</td></tr> <tr><td>14:</td><td>10.6x</td><td>↗</td></tr> <tr><td>15:</td><td>10.5x</td><td>↘</td></tr> <tr><td>16:</td><td>10.1</td><td>↖</td></tr> <tr><td>17:</td><td>10.1</td><td>↘</td></tr> <tr><td>18:</td><td>10.1</td><td>↖</td></tr> <tr><td>19:</td><td>10.5x</td><td>↘</td></tr> <tr><td>20:</td><td>10.1</td><td>↗</td></tr> <tr><td colspan="2">Serie</td><td>101.9</td></tr> <tr><td colspan="2">Total</td><td>200.1</td></tr> </table>	11:	9.9	→	12:	10.6x	↘	13:	9.4	↖	14:	10.6x	↗	15:	10.5x	↘	16:	10.1	↖	17:	10.1	↘	18:	10.1	↖	19:	10.5x	↘	20:	10.1	↗	Serie		101.9	Total		200.1	<table border="1" style="width:100%; border-collapse: collapse;"> <tr><td>21:</td><td>10.5x</td><td>↖</td></tr> <tr><td>22:</td><td>10.6x</td><td>↘</td></tr> <tr><td>23:</td><td>10.4x</td><td>↖</td></tr> <tr><td>24:</td><td>9.9</td><td>↘</td></tr> <tr><td>25:</td><td>9.2</td><td>→</td></tr> <tr><td>26:</td><td>10.0</td><td>→</td></tr> <tr><td>27:</td><td>10.0</td><td>→</td></tr> <tr><td>28:</td><td>9.3</td><td>↖</td></tr> <tr><td>29:</td><td>10.4x</td><td>↘</td></tr> <tr><td>30:</td><td>9.6</td><td>↖</td></tr> <tr><td colspan="2">Serie</td><td>99.9</td></tr> <tr><td colspan="2">Total</td><td>300.0</td></tr> </table>	21:	10.5x	↖	22:	10.6x	↘	23:	10.4x	↖	24:	9.9	↘	25:	9.2	→	26:	10.0	→	27:	10.0	→	28:	9.3	↖	29:	10.4x	↘	30:	9.6	↖	Serie		99.9	Total		300.0
11:	9.9	→																																																																									
12:	10.6x	↘																																																																									
13:	9.4	↖																																																																									
14:	10.6x	↗																																																																									
15:	10.5x	↘																																																																									
16:	10.1	↖																																																																									
17:	10.1	↘																																																																									
18:	10.1	↖																																																																									
19:	10.5x	↘																																																																									
20:	10.1	↗																																																																									
Serie		101.9																																																																									
Total		200.1																																																																									
21:	10.5x	↖																																																																									
22:	10.6x	↘																																																																									
23:	10.4x	↖																																																																									
24:	9.9	↘																																																																									
25:	9.2	→																																																																									
26:	10.0	→																																																																									
27:	10.0	→																																																																									
28:	9.3	↖																																																																									
29:	10.4x	↘																																																																									
30:	9.6	↖																																																																									
Serie		99.9																																																																									
Total		300.0																																																																									

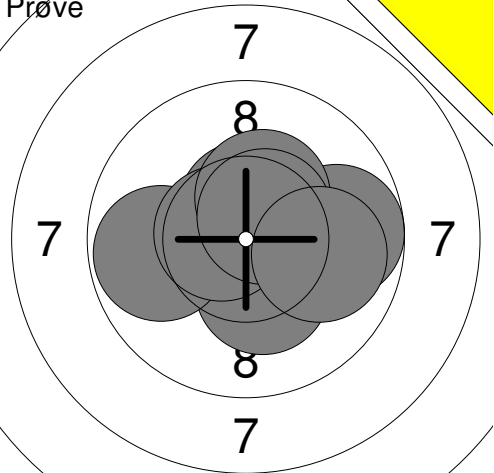
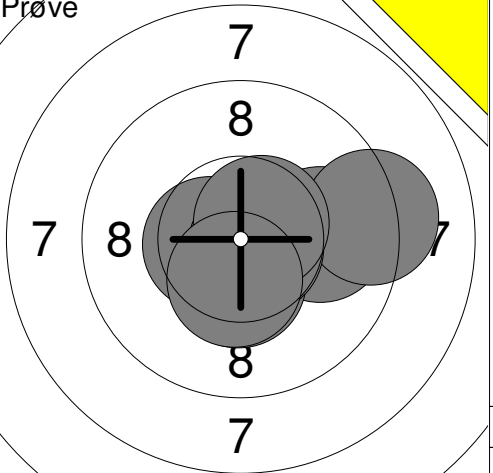
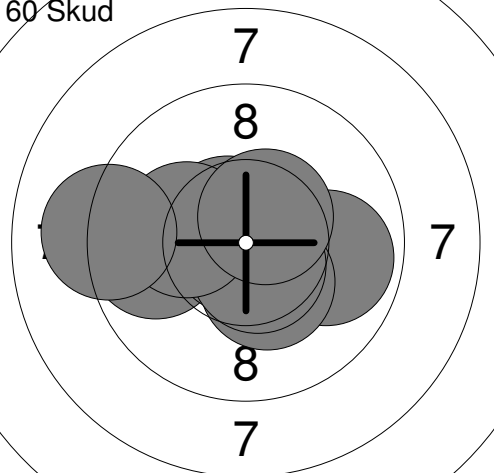
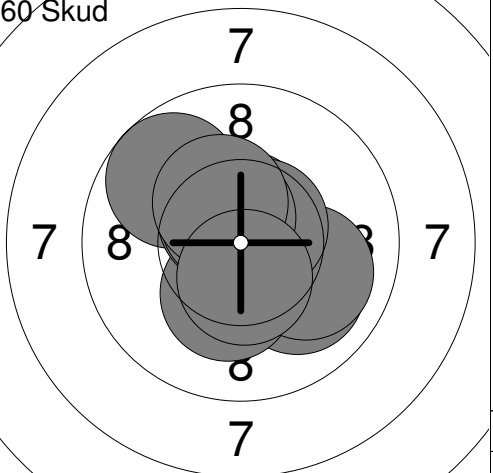
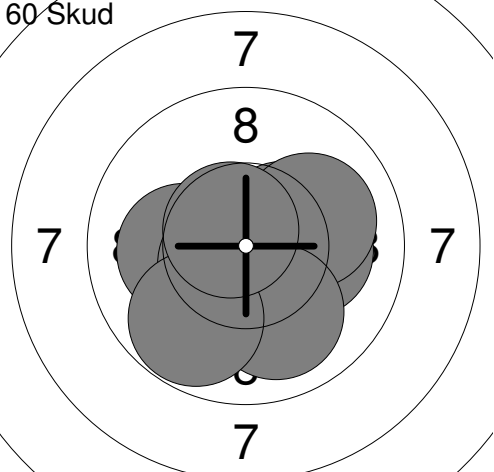
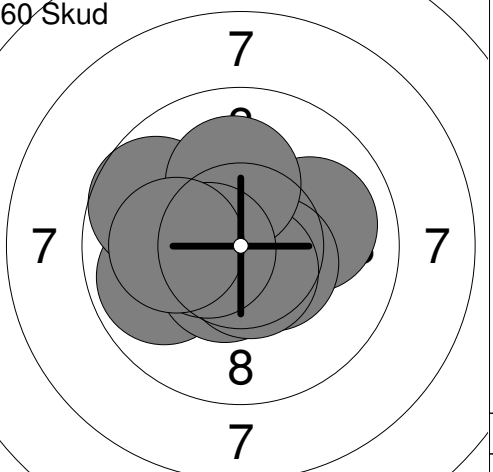
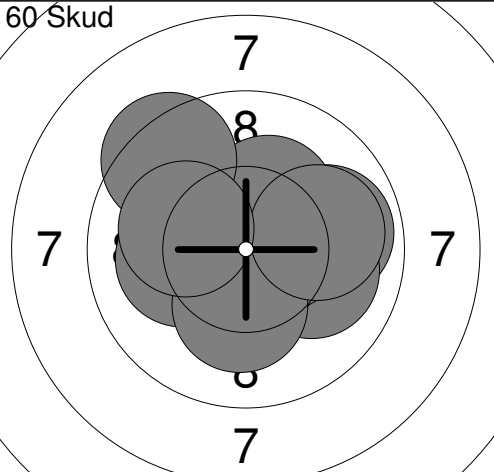
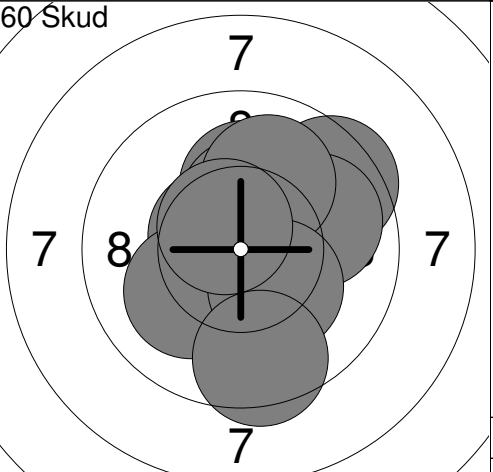
60 Skud	60 Skud																																																																										
		<table border="1" style="width:100%; border-collapse: collapse;"> <tr><td>31:</td><td>9.9</td><td>↘</td></tr> <tr><td>32:</td><td>10.6x</td><td>↘</td></tr> <tr><td>33:</td><td>10.1</td><td>↖</td></tr> <tr><td>34:</td><td>10.4x</td><td>↗</td></tr> <tr><td>35:</td><td>10.8x</td><td>↖</td></tr> <tr><td>36:</td><td>9.8</td><td>↘</td></tr> <tr><td>37:</td><td>10.1</td><td>↖</td></tr> <tr><td>38:</td><td>8.9</td><td>↖</td></tr> <tr><td>39:</td><td>10.3x</td><td>↑</td></tr> <tr><td>40:</td><td>10.1</td><td>↖</td></tr> <tr><td colspan="2">Serie</td><td>101.0</td></tr> <tr><td colspan="2">Total</td><td>401.0</td></tr> </table>	31:	9.9	↘	32:	10.6x	↘	33:	10.1	↖	34:	10.4x	↗	35:	10.8x	↖	36:	9.8	↘	37:	10.1	↖	38:	8.9	↖	39:	10.3x	↑	40:	10.1	↖	Serie		101.0	Total		401.0	<table border="1" style="width:100%; border-collapse: collapse;"> <tr><td>41:</td><td>10.2x</td><td>↖</td></tr> <tr><td>42:</td><td>9.4</td><td>↘</td></tr> <tr><td>43:</td><td>10.5x</td><td>↗</td></tr> <tr><td>44:</td><td>10.0</td><td>↗</td></tr> <tr><td>45:</td><td>10.6x</td><td>↖</td></tr> <tr><td>46:</td><td>10.1</td><td>↗</td></tr> <tr><td>47:</td><td>10.5x</td><td>↘</td></tr> <tr><td>48:</td><td>10.3x</td><td>↘</td></tr> <tr><td>49:</td><td>9.9</td><td>→</td></tr> <tr><td>50:</td><td>10.5x</td><td>↘</td></tr> <tr><td colspan="2">Serie</td><td>102.0</td></tr> <tr><td colspan="2">Total</td><td>503.0</td></tr> </table>	41:	10.2x	↖	42:	9.4	↘	43:	10.5x	↗	44:	10.0	↗	45:	10.6x	↖	46:	10.1	↗	47:	10.5x	↘	48:	10.3x	↘	49:	9.9	→	50:	10.5x	↘	Serie		102.0	Total		503.0
31:	9.9	↘																																																																									
32:	10.6x	↘																																																																									
33:	10.1	↖																																																																									
34:	10.4x	↗																																																																									
35:	10.8x	↖																																																																									
36:	9.8	↘																																																																									
37:	10.1	↖																																																																									
38:	8.9	↖																																																																									
39:	10.3x	↑																																																																									
40:	10.1	↖																																																																									
Serie		101.0																																																																									
Total		401.0																																																																									
41:	10.2x	↖																																																																									
42:	9.4	↘																																																																									
43:	10.5x	↗																																																																									
44:	10.0	↗																																																																									
45:	10.6x	↖																																																																									
46:	10.1	↗																																																																									
47:	10.5x	↘																																																																									
48:	10.3x	↘																																																																									
49:	9.9	→																																																																									
50:	10.5x	↘																																																																									
Serie		102.0																																																																									
Total		503.0																																																																									

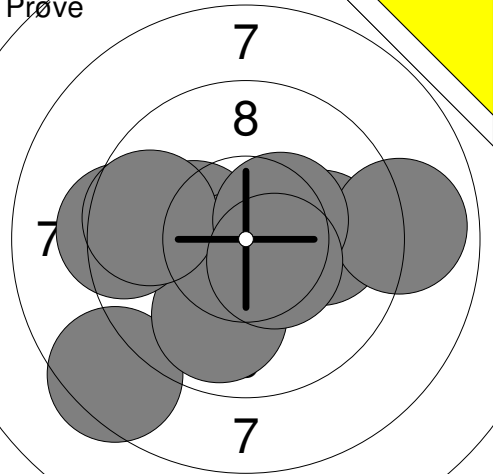
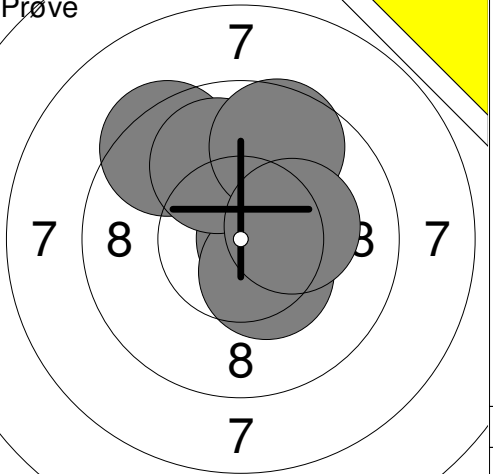
60 Skud																																												
	<table border="1" style="width:100%; border-collapse: collapse;"> <tr><td>51:</td><td>9.5</td><td>↘</td></tr> <tr><td>52:</td><td>10.7x</td><td>↘</td></tr> <tr><td>53:</td><td>10.5x</td><td>↘</td></tr> <tr><td>54:</td><td>9.6</td><td>↖</td></tr> <tr><td>55:</td><td>10.5x</td><td>↘</td></tr> <tr><td>56:</td><td>9.7</td><td>↘</td></tr> <tr><td>57:</td><td>10.7x</td><td>↘</td></tr> <tr><td>58:</td><td>10.6x</td><td>↗</td></tr> <tr><td>59:</td><td>10.5x</td><td>↗</td></tr> <tr><td>60:</td><td>10.3x</td><td>↘</td></tr> <tr><td colspan="2">Serie</td><td>102.6</td></tr> <tr><td colspan="2">Total</td><td>605.6</td></tr> </table>	51:	9.5	↘	52:	10.7x	↘	53:	10.5x	↘	54:	9.6	↖	55:	10.5x	↘	56:	9.7	↘	57:	10.7x	↘	58:	10.6x	↗	59:	10.5x	↗	60:	10.3x	↘	Serie		102.6	Total		605.6	<table border="1" style="width:100%; border-collapse: collapse;"> <tr><td colspan="2">Serie</td><td>0.0</td></tr> <tr><td colspan="2">Total</td><td>0.0</td></tr> </table>	Serie		0.0	Total		0.0
51:	9.5	↘																																										
52:	10.7x	↘																																										
53:	10.5x	↘																																										
54:	9.6	↖																																										
55:	10.5x	↘																																										
56:	9.7	↘																																										
57:	10.7x	↘																																										
58:	10.6x	↗																																										
59:	10.5x	↗																																										
60:	10.3x	↘																																										
Serie		102.6																																										
Total		605.6																																										
Serie		0.0																																										
Total		0.0																																										

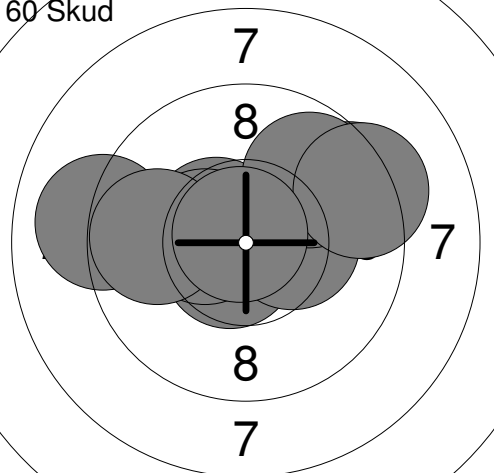
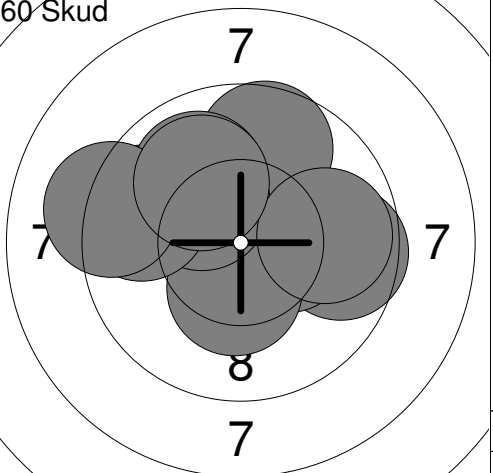
<p>Prøve</p> 	<p>1: 9.4 ↘ 2: 10.3x → 3: 10.0 ↑ 4: 9.6 ↗ 5: 9.8 ← 6: 9.7 → 7: 10.2x ← 8: 10.3x → 9: 9.1 → 10: 9.9 ↑</p> <p>Serie 98.3 Total 0.0</p>	<p>Prøve</p> 	<p>11: 9.4 → 12: 10.5x ↑ 13: 10.4x ↖ 14: 10.5x ↗ 15: 10.8x ↑</p> <p>Serie 51.6 Total 0.0</p>
<p>60 Skud</p> 	<p>1: 10.7x ↙ 2: 9.7 ↘ 3: 9.9 ↘ 4: 10.3x ← 5: 10.7x ↙ 6: 10.7x ← 7: 8.7 ← 8: 9.8 ← 9: 9.9 ← 10: 10.0 ↖</p> <p>Serie 100.4 Total 100.4</p>	<p>60 Skud</p> 	<p>11: 10.4x ↖ 12: 10.7x ↗ 13: 9.5 ↘ 14: 10.5x ↗ 15: 9.9 ↘ 16: 10.3x ↙ 17: 10.2x ↗ 18: 10.1 ↘ 19: 10.3x ↘ 20: 10.5x ↘</p> <p>Serie 102.4 Total 202.8</p>
<p>60 Skud</p> 	<p>21: 8.4 ← 22: 10.0 ↙ 23: 10.3x ↗ 24: 9.9 ↘ 25: 10.0 → 26: 10.4x ↗ 27: 10.3x ↘ 28: 10.0 ↘ 29: 10.6x → 30: 9.5 ↘</p> <p>Serie 99.4 Total 302.2</p>	<p>60 Skud</p> 	<p>31: 9.9 ↘ 32: 8.9 ↗ 33: 10.1 ← 34: 10.4x → 35: 9.9 → 36: 10.4x ↘ 37: 9.7 → 38: 10.5x ↗ 39: 10.7x ↗ 40: 10.2x ↘</p> <p>Serie 100.7 Total 402.9</p>
<p>60 Skud</p> 	<p>41: 9.9 ↘ 42: 9.7 → 43: 10.0 ↖ 44: 9.5 → 45: 10.6x ↗ 46: 10.0 ↗ 47: 10.2x ↘ 48: 9.6 ← 49: 10.5x ↗ 50: 10.8x ↘</p> <p>Serie 100.8 Total 503.7</p>	<p>60 Skud</p> 	<p>51: 9.7 ↖ 52: 10.0 ↑ 53: 10.5x ↖ 54: 10.7x ↙ 55: 9.8 ← 56: 10.3x ↖ 57: 10.4x → 58: 10.9x ← 59: 9.3 → 60: 10.4x ↑</p> <p>Serie 102.0 Total 605.7</p>

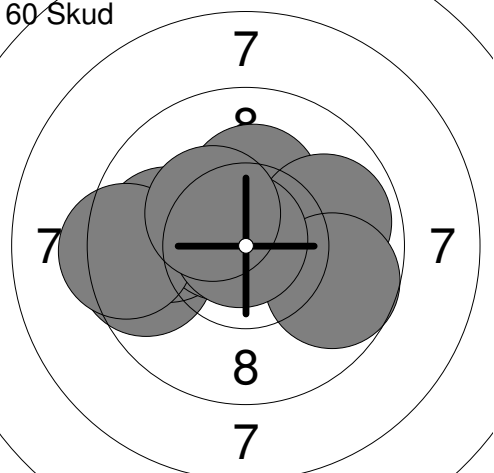
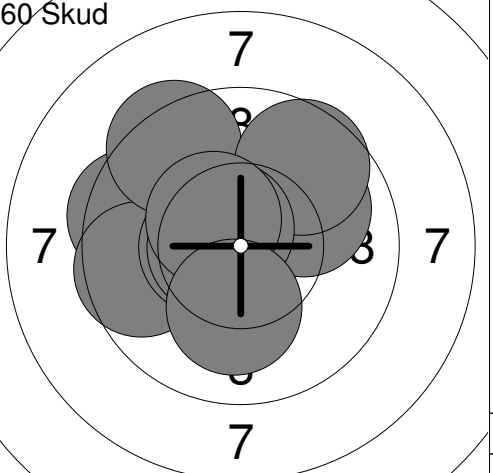
Prøve 	1: 9.9 → 2: 10.9x ↗ 3: 10.2x ↖ 4: 10.4x → 5: 9.9 → 6: 10.7x ↗ 7: 9.5 → 8: 10.8x ↑ 9: 10.3x ↙ 10: 9.8 ↗ <hr/> Serie 102.4 Total 0.0	Prøve 	11: 10.4x → 12: 10.9x ↘ 13: 10.4x ↖ 14: 9.6 ↖ 15: 10.5x ↗ 16: 10.7x ↖ <hr/> Serie 62.5 Total 0.0
60 Skud 	1: 10.4x ↗ 2: 10.2x ← 3: 10.5x → 4: 10.4x ↑ 5: 9.9 → 6: 10.3x ← 7: 10.7x → 8: 10.5x ↑ 9: 10.2x → 10: 10.2x ← <hr/> Serie 103.3 Total 103.3	60 Skud 	11: 10.6x ↘ 12: 10.4x → 13: 9.8 → 14: 10.1 ← 15: 8.7 ← 16: 10.4x ↗ 17: 10.3x → 18: 10.7x → 19: 10.2x ↘ 20: 10.3x ↘ <hr/> Serie 101.5 Total 204.8
60 Skud 	21: 10.1 ← 22: 10.6x → 23: 10.0 ← 24: 10.0 ↙ 25: 10.4x ↑ 26: 10.8x ↗ 27: 10.8x ← 28: 10.5x ↘ 29: 10.1 ↘ 30: 10.4x → <hr/> Serie 103.7 Total 308.5	60 Skud 	31: 9.9 → 32: 10.2x ↘ 33: 10.8x ↘ 34: 9.9 → 35: 9.4 ← 36: 10.6x ↑ 37: 10.0 ↗ 38: 10.2x → 39: 9.8 → 40: 10.5x ↘ <hr/> Serie 101.3 Total 409.8
60 Skud 	41: 10.6x ↗ 42: 10.5x ↘ 43: 10.1 → 44: 10.2x ↑ 45: 10.2x → 46: 10.6x ← 47: 9.9 → 48: 9.0 → 49: 10.4x ← 50: 10.5x ↖ <hr/> Serie 102.0 Total 511.8	60 Skud 	51: 10.3x ↗ 52: 10.8x ↖ 53: 10.7x ↘ 54: 10.4x → 55: 9.9 ↖ 56: 9.8 ↗ 57: 9.9 → 58: 10.5x ↖ 59: 9.9 ← 60: 10.5x ↙ <hr/> Serie 102.7 Total 614.5

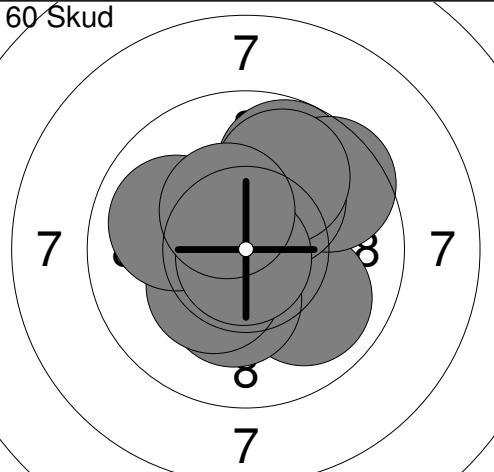
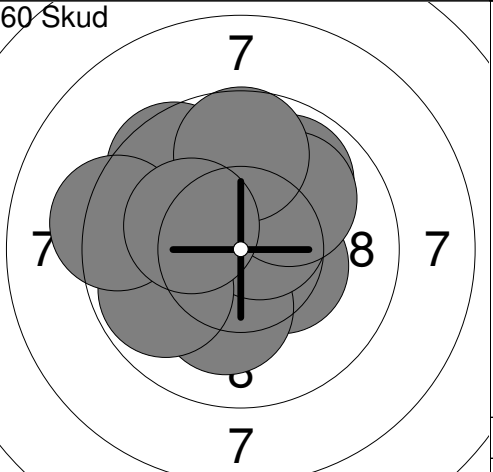
Hold	Skive	Lars Ørum	
105	8		
10m	Aalborg Skyttekreds		
14.12.2013	Øvelsesnavn 11	Aalborg Skyttekreds	
Prøve		1: 9.9 ↗ 2: 10.0 ← 3: 10.2x ↗ 4: 9.5 ↗ 5: 10.3x → 6: 9.7 ↗ 7: 9.6 ← 8: 10.8x ↙ 9: 10.3x ↑ 10: 9.5 ↓ Serie 99.8 Total 0.0	Prøve  11: 10.0 ↙ 12: 10.5x ↗ 13: 10.7x ↘ 14: 10.2x ← 15: 10.4x ← 16: 10.5x ↗ Serie 62.3 Total 0.0
60 Skud		1: 10.4x ↗ 2: 8.7 ↗ 3: 10.4x ← 4: 10.5x ↓ 5: 10.7x ↗ 6: 10.2x ↑ 7: 10.8x ↗ 8: 10.3x → 9: 10.3x ← 10: 10.3x ↓ Serie 102.6 Total 102.6	60 Skud  11: 10.9x ↖ 12: 10.1 ↓ 13: 9.4 ↘ 14: 10.2x ↓ 15: 10.4x ↗ 16: 10.6x ↖ 17: 10.8x ↓ 18: 10.8x ↖ 19: 10.4x ↖ 20: 10.7x ← Serie 104.3 Total 206.9
60 Skud		21: 9.7 ↙ 22: 10.1 ← 23: 10.5x ↖ 24: 10.8x ↘ 25: 9.1 ← 26: 10.6x ↗ 27: 9.9 ← 28: 9.8 ↗ 29: 10.4x ← 30: 10.5x ↗ Serie 101.4 Total 308.3	60 Skud  31: 9.8 → 32: 10.2x ← 33: 10.2x ↑ 34: 9.9 → 35: 10.4x ↓ 36: 9.9 ↑ 37: 10.2x ↗ 38: 10.6x ↗ 39: 10.8x → 40: 10.1 → Serie 102.1 Total 410.4
60 Skud		41: 10.9x ↙ 42: 10.5x ↗ 43: 10.4x → 44: 10.2x ↑ 45: 9.6 ↗ 46: 10.4x ↑ 47: 10.2x → 48: 10.0 ↑ 49: 10.1 ↗ 50: 10.6x ← Serie 102.9 Total 513.3	60 Skud  51: 10.7x ↗ 52: 10.5x ↓ 53: 10.1 ↗ 54: 10.3x ↖ 55: 10.5x ↓ 56: 9.0 ↗ 57: 10.4x ← 58: 10.2x ↓ 59: 10.1 ↗ 60: 10.6x → Serie 102.4 Total 615.7

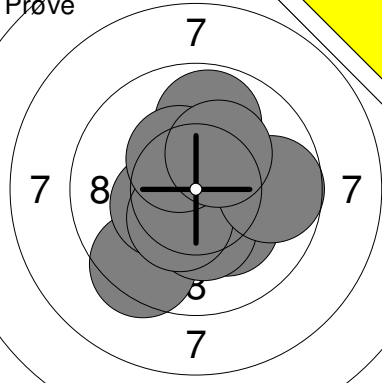
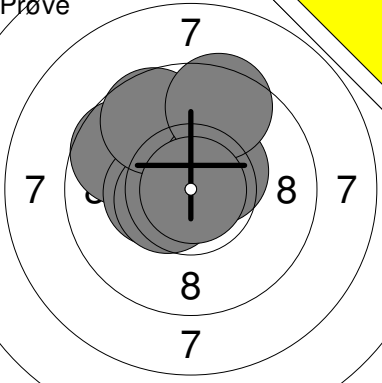
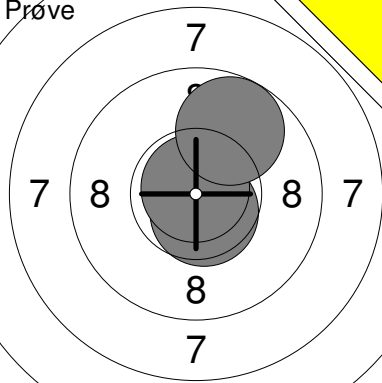
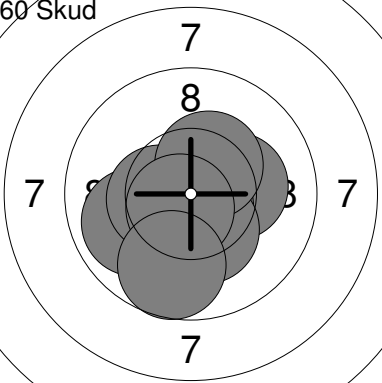
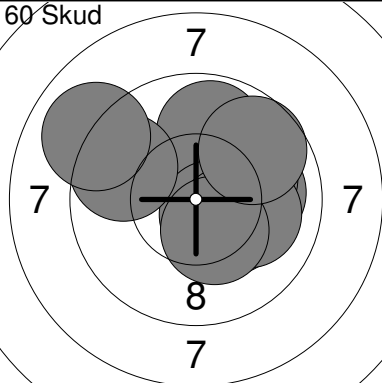
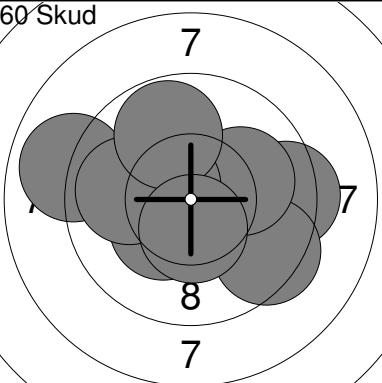
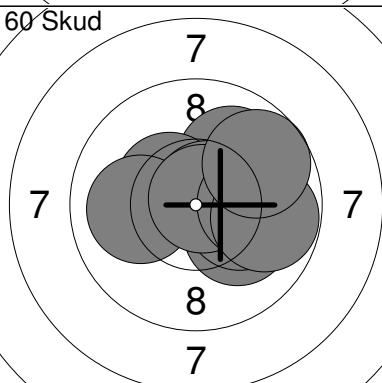
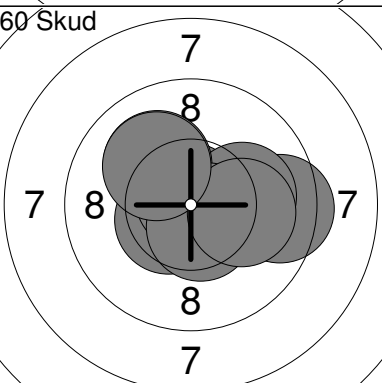
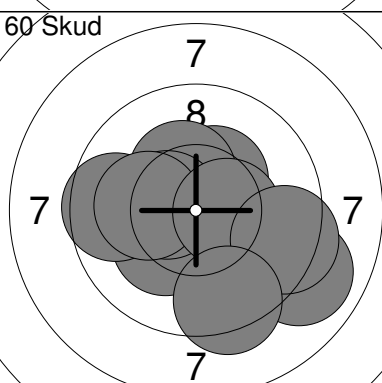
Prøve		Prøve	
	1: 10.9x ↗ 2: 10.7x ↗ 3: 10.6x ↑ 4: 10.3x ↓ 5: 9.7 → 6: 9.8 ← 7: 10.6x ← 8: 10.4x ↑ 9: 10.6x ↗ 10: 10.0 → Serie 103.6 Total 0.0		11: 10.5x ← 12: 9.9 → 13: 9.2 → 14: 10.4x ↓ 15: 10.7x ↘ 16: 10.6x ↗ 17: 10.4x ↓ Serie 71.7 Total 0.0
60 Skud 	1: 10.6x ↘ 2: 9.8 ← 3: 10.4x → 4: 9.9 → 5: 10.8x ← 6: 10.4x ↓ 7: 10.6x ↓ 8: 10.2x ← 9: 9.1 ← 10: 10.5x ↗ Serie 102.3 Total 102.3	60 Skud 	11: 10.0 ↘ 12: 10.6x ↑ 13: 10.3x ↓ 14: 9.7 ↗ 15: 10.0 → 16: 10.6x ↗ 17: 10.6x ↗ 18: 10.6x ↗ 19: 10.4x ↗ 20: 10.5x ↓ Serie 103.3 Total 205.6
60 Skud 	21: 10.4x ↓ 22: 10.6x ← 23: 10.1 ← 24: 10.6x ↙ 25: 10.2x → 26: 10.4x → 27: 10.1 → 28: 10.0 ↓ 29: 9.8 ↙ 30: 10.7x ↗ Serie 102.9 Total 308.5	60 Skud 	31: 9.9 ← 32: 10.6x ↙ 33: 10.0 → 34: 9.7 ← 35: 10.5x ↓ 36: 10.5x ↘ 37: 10.6x ↓ 38: 10.1 ↑ 39: 10.5x ← 40: 10.1 ← Serie 102.5 Total 411.0
60 Skud 	41: 9.9 → 42: 10.0 → 43: 10.7x ↘ 44: 10.5x → 45: 10.3x ↗ 46: 10.1 ← 47: 10.2x ↓ 48: 9.4 ↗ 49: 10.0 → 50: 10.1 ↖ Serie 101.2 Total 512.2	60 Skud 	51: 10.6x ↖ 52: 10.1 ↙ 53: 10.1 ↑ 54: 9.5 ↗ 55: 9.9 → 56: 10.4x ↑ 57: 10.0 ↑ 58: 10.3x ↘ 59: 9.5 ↓ 60: 10.6x ↗ Serie 101.0 Total 613.2

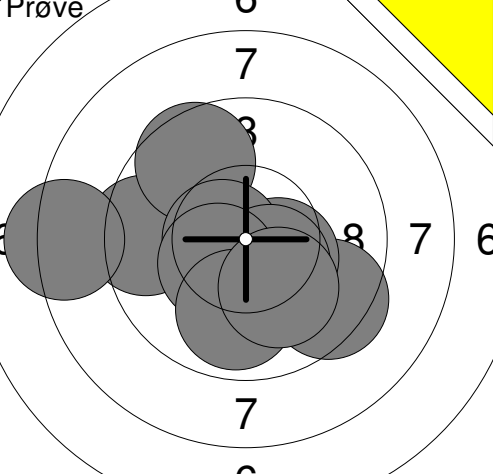
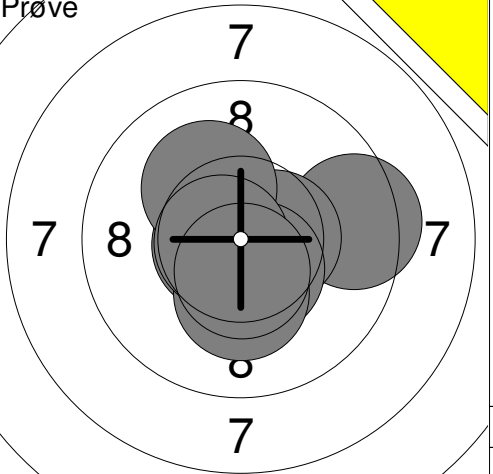
<p>Prøve</p> 	<p>1: 10.2x ← 2: 8.5 ↙ 3: 10.7x ↓ 4: 9.9 ↓ 5: 9.3 ← 6: 9.7 ← 7: 10.0 → 8: 8.9 → 9: 10.4x ↗ 10: 10.5x ↘</p> <p>Serie 98.1 Total 0.0</p>	<p>Prøve</p> 	<p>11: 10.6x → 12: 9.4 ↗ 13: 10.4x ↓ 14: 9.9 ↗ 15: 9.6 ↗ 16: 10.2x →</p> <p>Serie 60.1 Total 0.0</p>
---	--	---	--

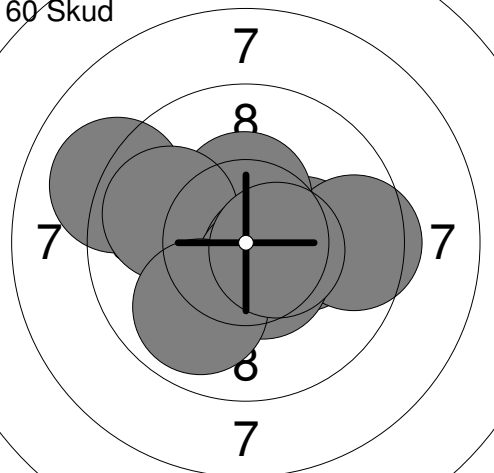
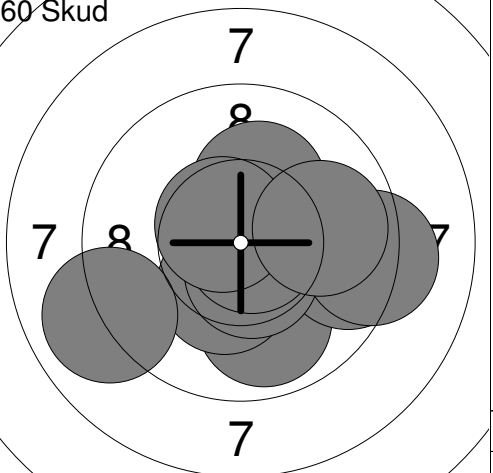
<p>60 Skud</p> 	<p>1: 9.4 → 2: 10.6x ↙ 3: 10.3x → 4: 10.5x ↖ 5: 9.8 ↗ 6: 10.4x ← 7: 9.3 → 8: 9.0 ← 9: 9.8 ← 10: 10.8x ↗</p> <p>Serie 99.9 Total 99.9</p>	<p>60 Skud</p> 	<p>11: 9.6 → 12: 10.3x → 13: 10.3x ↓ 14: 9.7 ↗ 15: 10.2x ↗ 16: 9.6 ← 17: 9.9 ↗ 18: 9.8 → 19: 9.2 ← 20: 10.0 ↗</p> <p>Serie 98.6 Total 198.5</p>
--	--	--	---

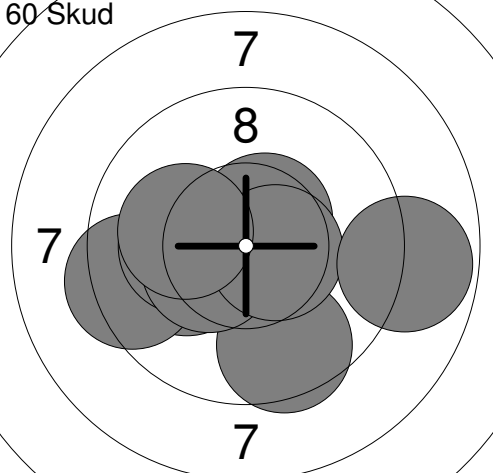
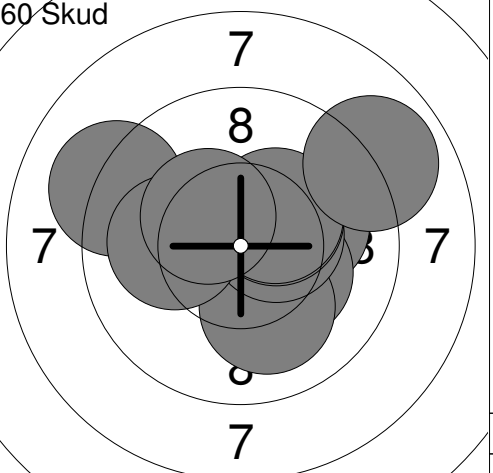
<p>60 Skud</p> 	<p>21: 10.1 → 22: 9.6 ← 23: 10.2x ↑ 24: 9.9 → 25: 9.9 ← 26: 10.6x ↖ 27: 9.4 ← 28: 9.7 ↘ 29: 10.8x ↗ 30: 10.3x ↗</p> <p>Serie 100.5 Total 299.0</p>	<p>60 Skud</p> 	<p>31: 9.5 ← 32: 9.6 ← 33: 10.5x ← 34: 9.4 ↗ 35: 10.0 ↗ 36: 9.6 ↗ 37: 10.6x ← 38: 10.7x ↗ 39: 10.5x ↗ 40: 10.1 ↓</p> <p>Serie 100.5 Total 399.5</p>
---	--	---	---

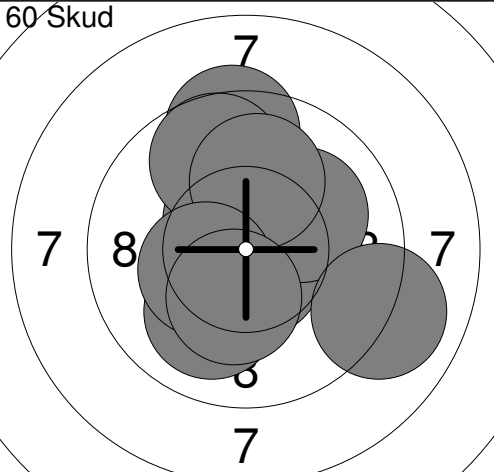
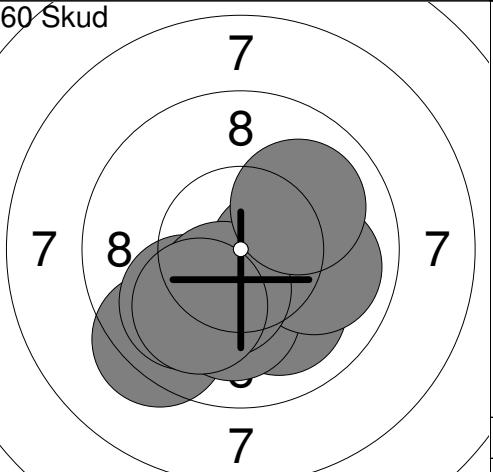
<p>60 Skud</p> 	<p>41: 10.0 ↘ 42: 10.3x ↓ 43: 10.3x ↙ 44: 9.8 ↗ 45: 10.0 ← 46: 9.6 ↗ 47: 10.2x ↗ 48: 9.9 ↗ 49: 10.8x ↓ 50: 10.4x ↗</p> <p>Serie 101.3 Total 500.8</p>	<p>60 Skud</p> 	<p>51: 10.4x → 52: 9.6 ↗ 53: 10.2x ↓ 54: 9.9 ↗ 55: 10.6x ↗ 56: 10.0 ↗ 57: 9.8 ← 58: 9.7 ↗ 59: 9.3 ← 60: 10.2x ←</p> <p>Serie 99.7 Total 600.5</p>
---	---	---	---

Prøve 	1: 10.2x ↘ 2: 9.4 ↘ 3: 10.7x ↘ 4: 9.8 ↗ 5: 10.4x ↖ 6: 10.3x ↘ 7: 10.4x ↘ 8: 10.4x ↘ 9: 9.7 → 10: 10.2x ↗ <hr/> Serie 101.5 Total 0.0	Prøve 	11: 10.7x ↗ 12: 9.7 ↗ 13: 10.5x ↗ 14: 10.4x ← 15: 10.1 ↗ 16: 10.5x ↖ 17: 9.7 ↗ 18: 10.4x ↗ 19: 9.5 ↗ 20: 10.9x → <hr/> Serie 102.4 Total 0.0
Prøve 	21: 10.6x ↘ 22: 10.8x ↗ 23: 9.8 ↗ <hr/> Serie 31.2 Total 0.0	60 Skud 	1: 9.9 ← 2: 10.7x → 3: 10.5x ↘ 4: 10.2x → 5: 10.7x ↘ 6: 10.3x ↘ 7: 10.4x ← 8: 10.4x ↗ 9: 10.6x ↘ 10: 9.7 ↘ <hr/> Serie 103.4 Total 103.4
60 Skud 	11: 10.0 → 12: 10.1 → 13: 9.9 ↗ 14: 10.6x ↘ 15: 10.3x ↘ 16: 10.1 → 17: 9.6 ↗ 18: 9.0 ↗ 19: 10.3x ↘ 20: 9.7 ↗ <hr/> Serie 99.6 Total 203.0	60 Skud 	21: 8.9 ← 22: 10.3x ↘ 23: 9.4 → 24: 9.4 ↘ 25: 10.1 → 26: 10.5x ↗ 27: 10.2x ↗ 28: 9.9 ← 29: 9.8 ↗ 30: 10.5x ↘ <hr/> Serie 99.0 Total 302.0
60 Skud 	31: 10.1 ↘ 32: 10.0 ↗ 33: 10.2x → 34: 10.4x ↗ 35: 10.0 ← 36: 10.7x ↗ 37: 10.8x ↗ 38: 10.0 → 39: 9.8 → 40: 9.7 ↗ <hr/> Serie 101.7 Total 403.7	60 Skud 	41: 9.5 → 42: 10.6x ↗ 43: 10.5x ↖ 44: 10.8x ↗ 45: 10.1 → 46: 10.1 ↗ 47: 10.6x ↘ 48: 10.5x ↘ 49: 10.1 → 50: 10.1 ↗ <hr/> Serie 102.9 Total 506.6
60 Skud 	51: 10.2x ↘ 52: 9.0 ↘ 53: 9.6 ← 54: 10.4x ↗ 55: 10.3x ↗ 56: 10.5x ↖ 57: 10.1 ← 58: 10.4x → 59: 9.4 → 60: 9.4 ↘ <hr/> Serie 99.3 Total 605.9		

Prøve 	1: 9.5 ← 2: 9.4 ↘ 3: 9.6 ↗ 4: 10.4x ↘ 5: 10.6x ← 6: 10.4x ↘ 7: 8.3 ← 8: 10.4x ↘ 9: 9.9 ↓ 10: 10.1 ↘ <hr/> Serie 98.6 Total 0.0	Prøve 	11: 9.4 → 12: 10.9x ↗ 13: 10.5x → 14: 10.7x ← 15: 10.5x ↘ 16: 10.2x ↓ 17: 10.2x ↗ 18: 10.7x ← 19: 10.5x ↓ <hr/> Serie 93.6 Total 0.0
--	---	--	--

60 Skud 	1: 10.2x → 2: 9.1 ↖ 3: 10.6x ↙ 4: 9.5 → 5: 10.4x ↑ 6: 9.9 ↖ 7: 10.6x ↘ 8: 10.5x ↘ 9: 9.9 ↘ 10: 10.5x → <hr/> Serie 101.2 Total 101.2	60 Skud 	11: 9.9 ↓ 12: 10.3x ↓ 13: 9.5 → 14: 10.6x ↓ 15: 10.8x → 16: 10.2x ↑ 17: 10.6x ↗ 18: 9.2 → 19: 9.9 → 20: 9.0 ↙ <hr/> Serie 100.0 Total 201.2
---	---	---	--

60 Skud 	21: 10.1 ← 22: 9.5 ↓ 23: 10.6x ← 24: 9.4 ← 25: 10.2x ← 26: 10.4x ← 27: 10.5x ↗ 28: 10.6x → 29: 10.1 ← 30: 8.8 → <hr/> Serie 100.2 Total 301.4	60 Skud 	31: 9.1 ↖ 32: 10.1 → 33: 10.3x ↘ 34: 10.1 ↓ 35: 10.5x → 36: 10.1 ← 37: 10.3x ↗ 38: 10.3x ↗ 39: 10.4x ↖ 40: 8.9 ↗ <hr/> Serie 100.1 Total 401.5
--	--	--	---

60 Skud 	41: 10.6x ↘ 42: 10.0 ↘ 43: 10.5x ↗ 44: 9.4 ↑ 45: 10.1 ↗ 46: 9.7 ↑ 47: 9.0 ↘ 48: 10.0 ↑ 49: 10.4x ↙ 50: 10.3x ↘ <hr/> Serie 100.0 Total 501.5	60 Skud 	51: 10.2x → 52: 9.4 ↘ 53: 10.0 ↘ 54: 10.0 ↓ 55: 10.1 ↓ 56: 10.5x → 57: 10.0 → 58: 10.4x ↓ 59: 10.0 ↘ 60: 10.0 ↗ <hr/> Serie 100.6 Total 602.1
--	---	--	--